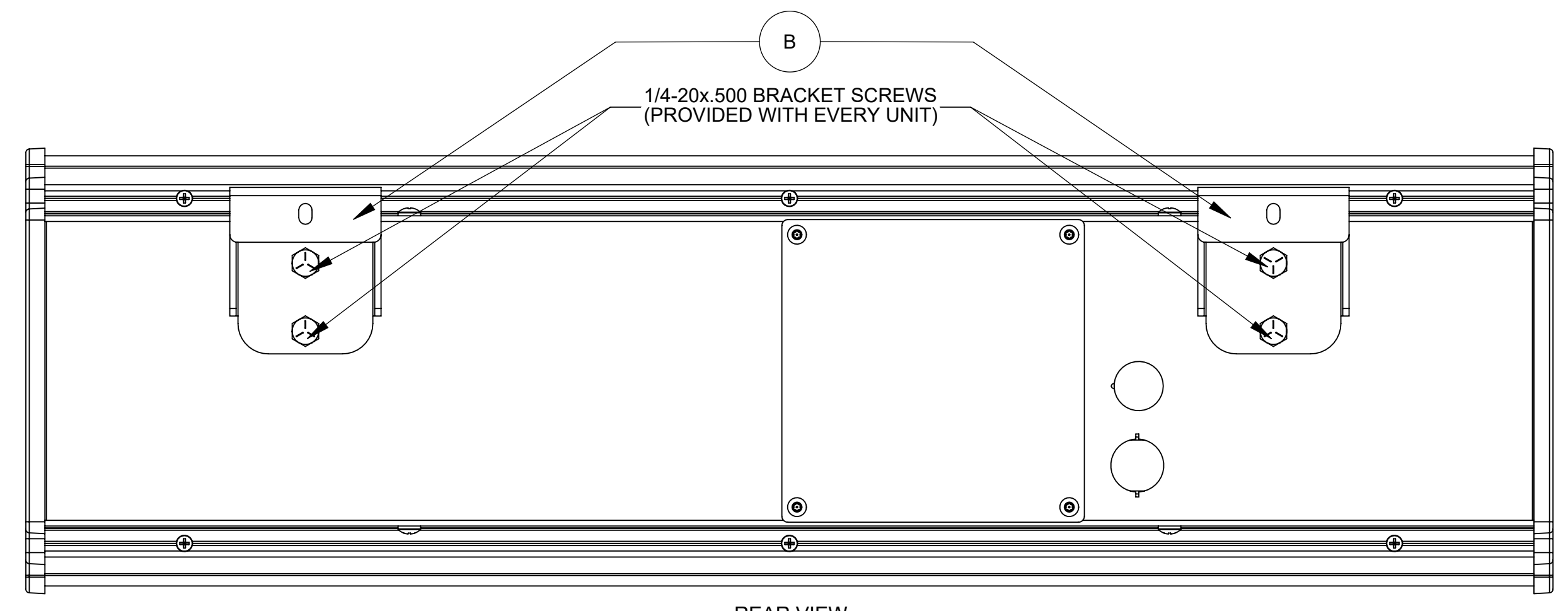
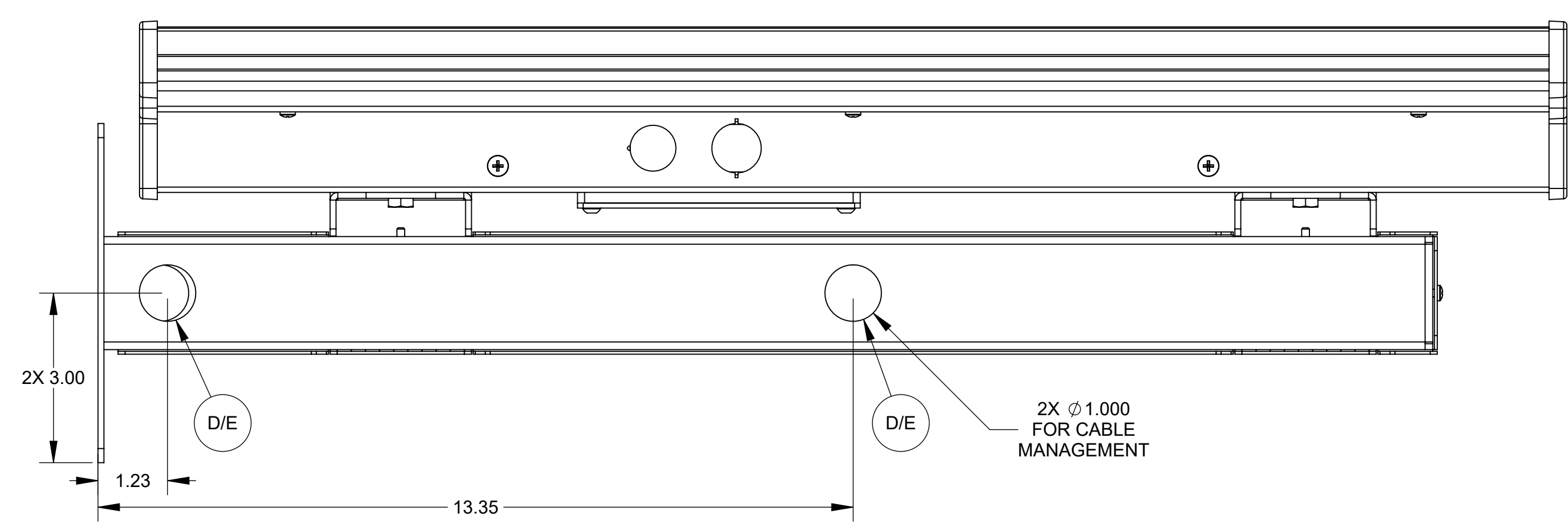
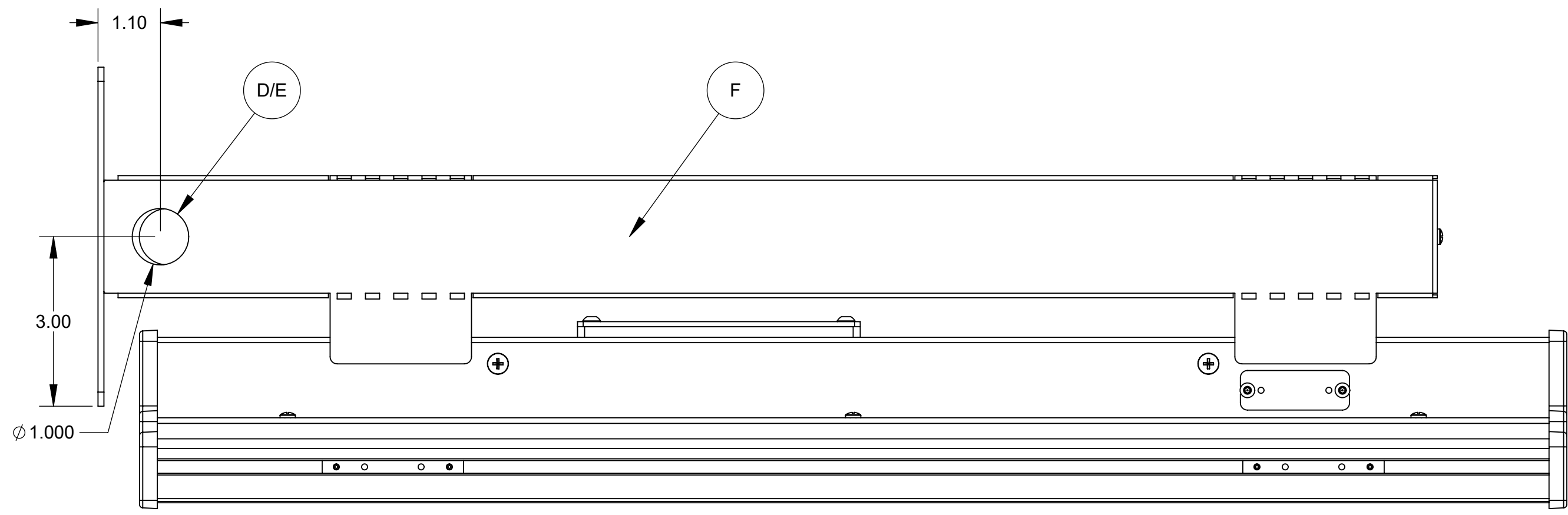


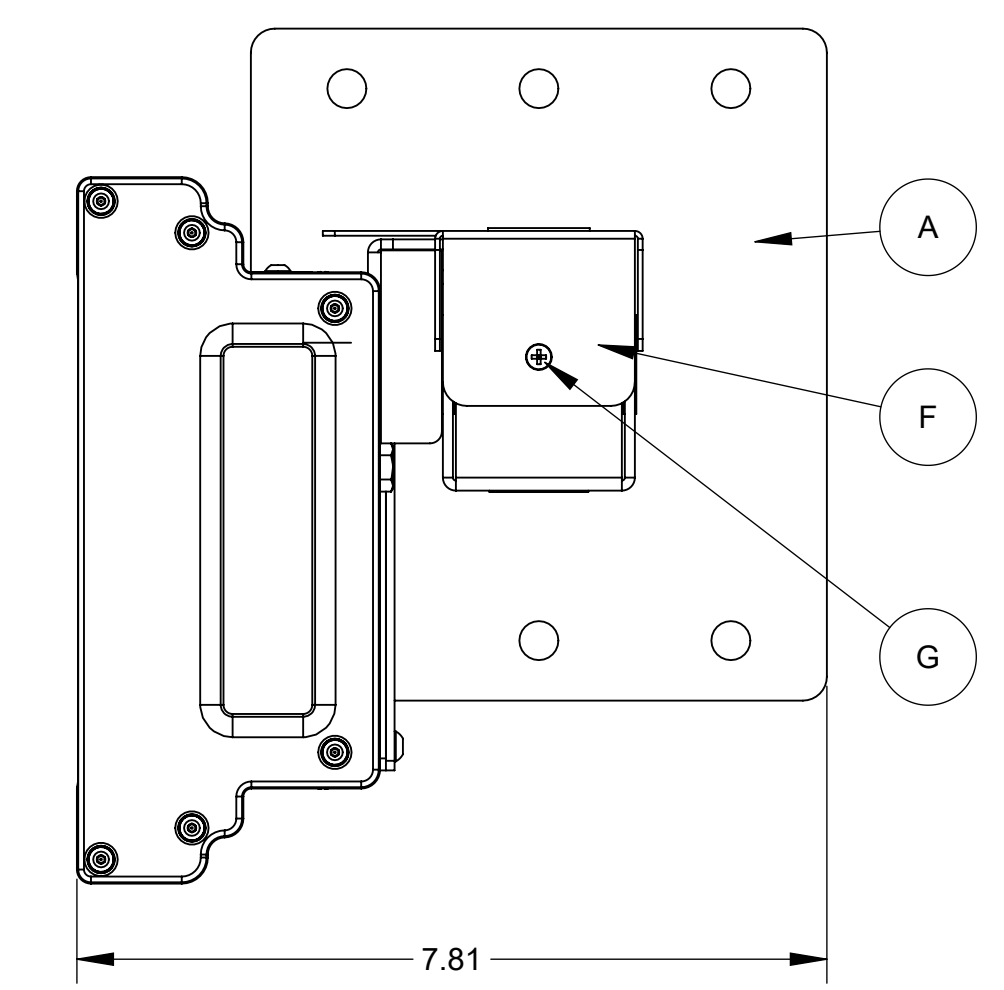
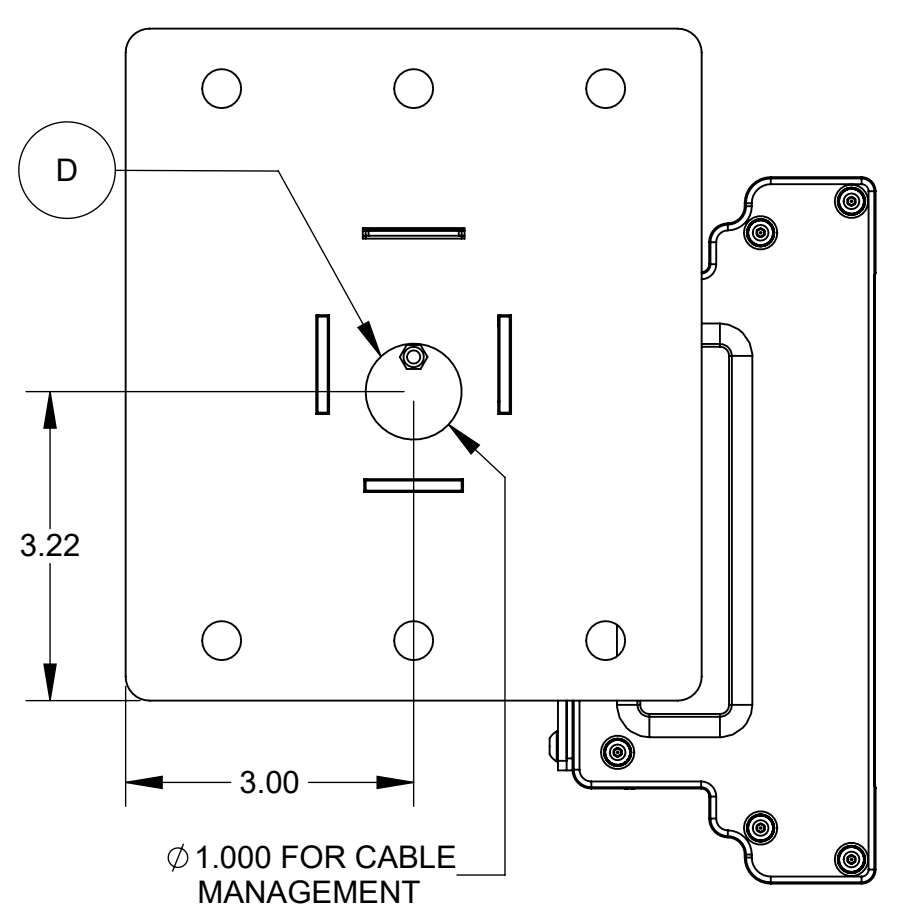
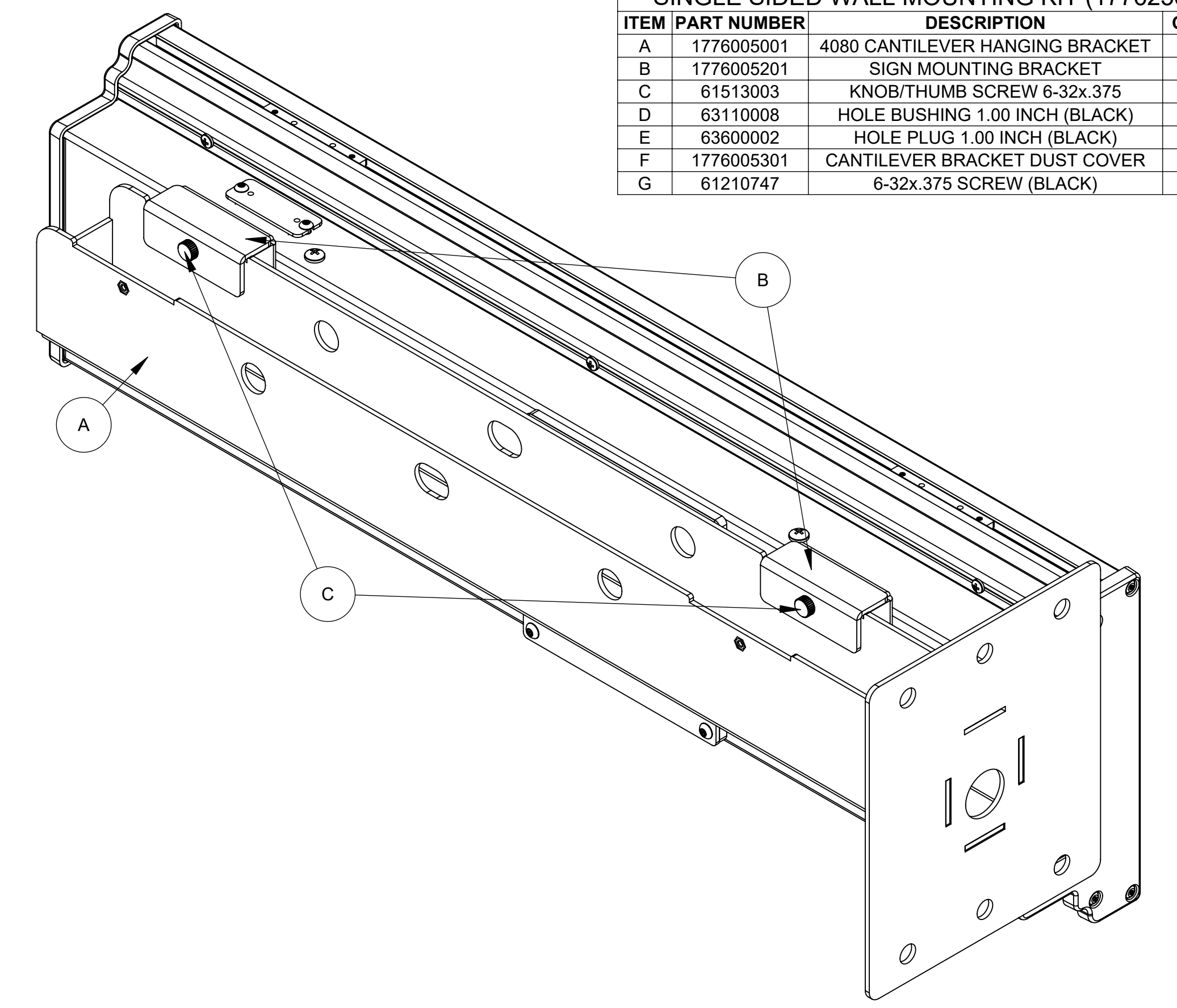
RIGHT VIEW  
4080 CANTILEVER BRACKET ONLY



REAR VIEW  
ALPHA 4080 MNS UNIT



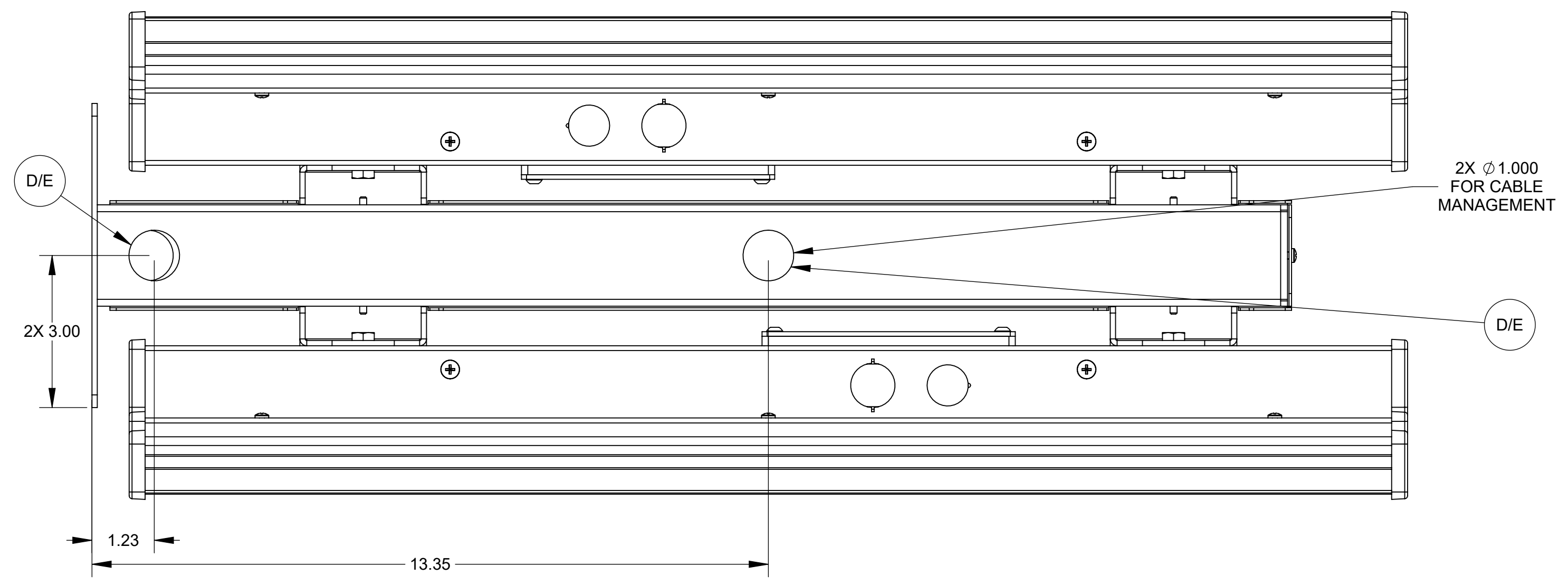
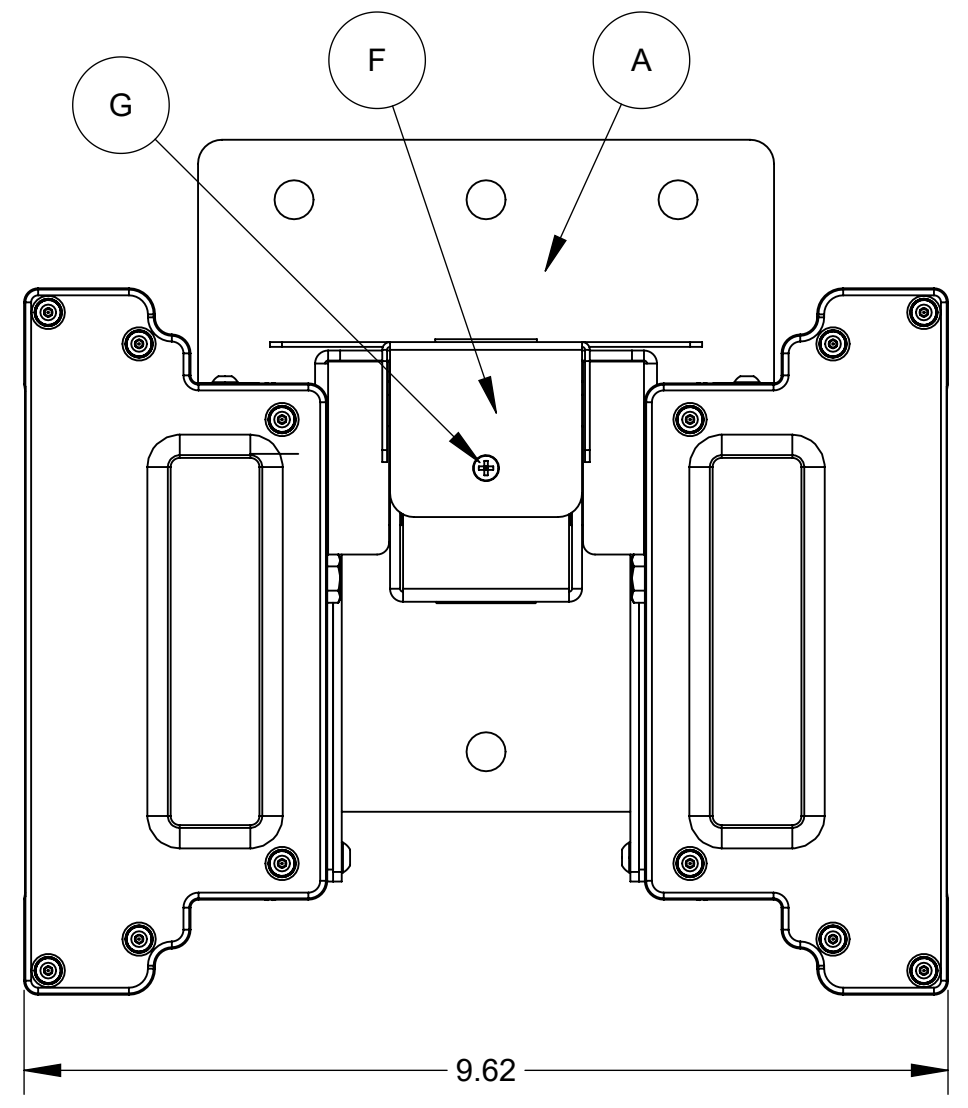
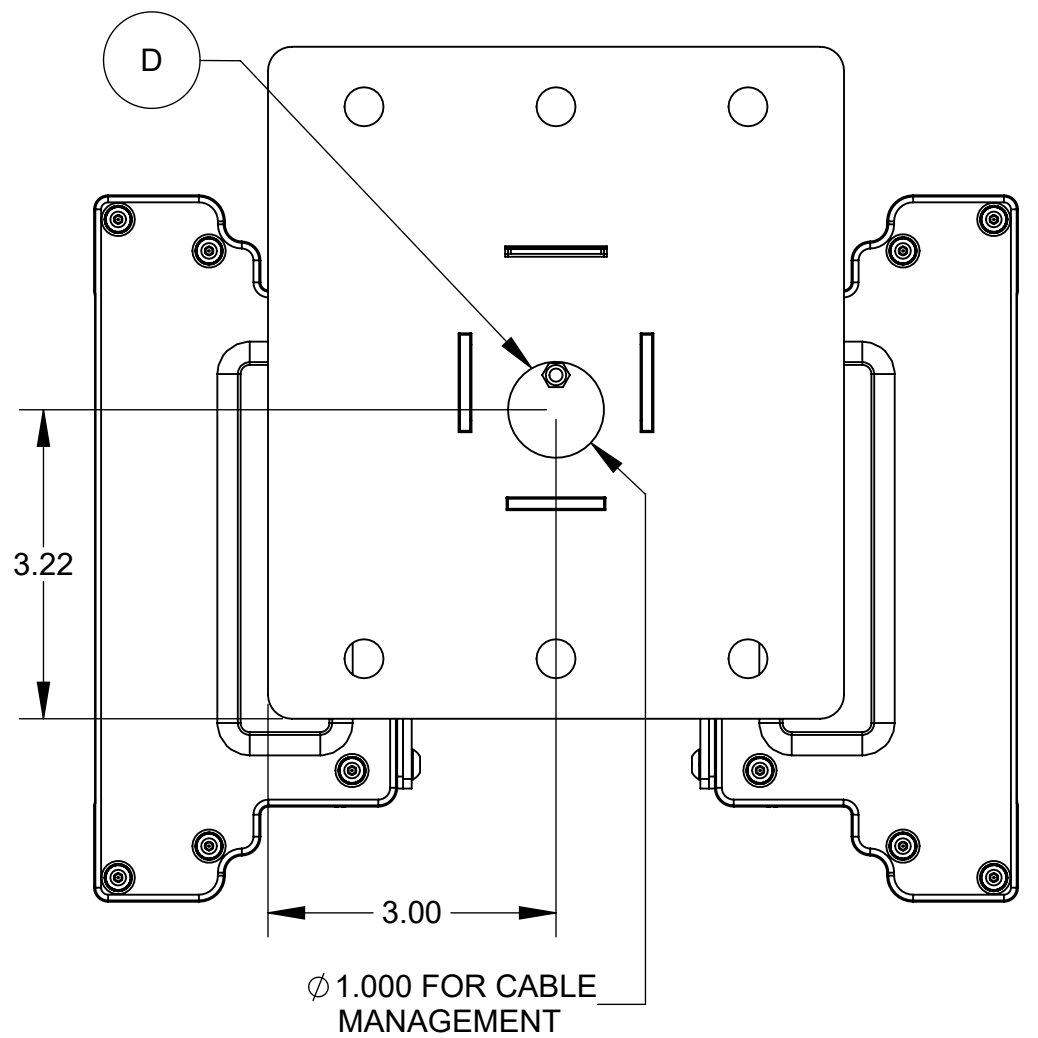
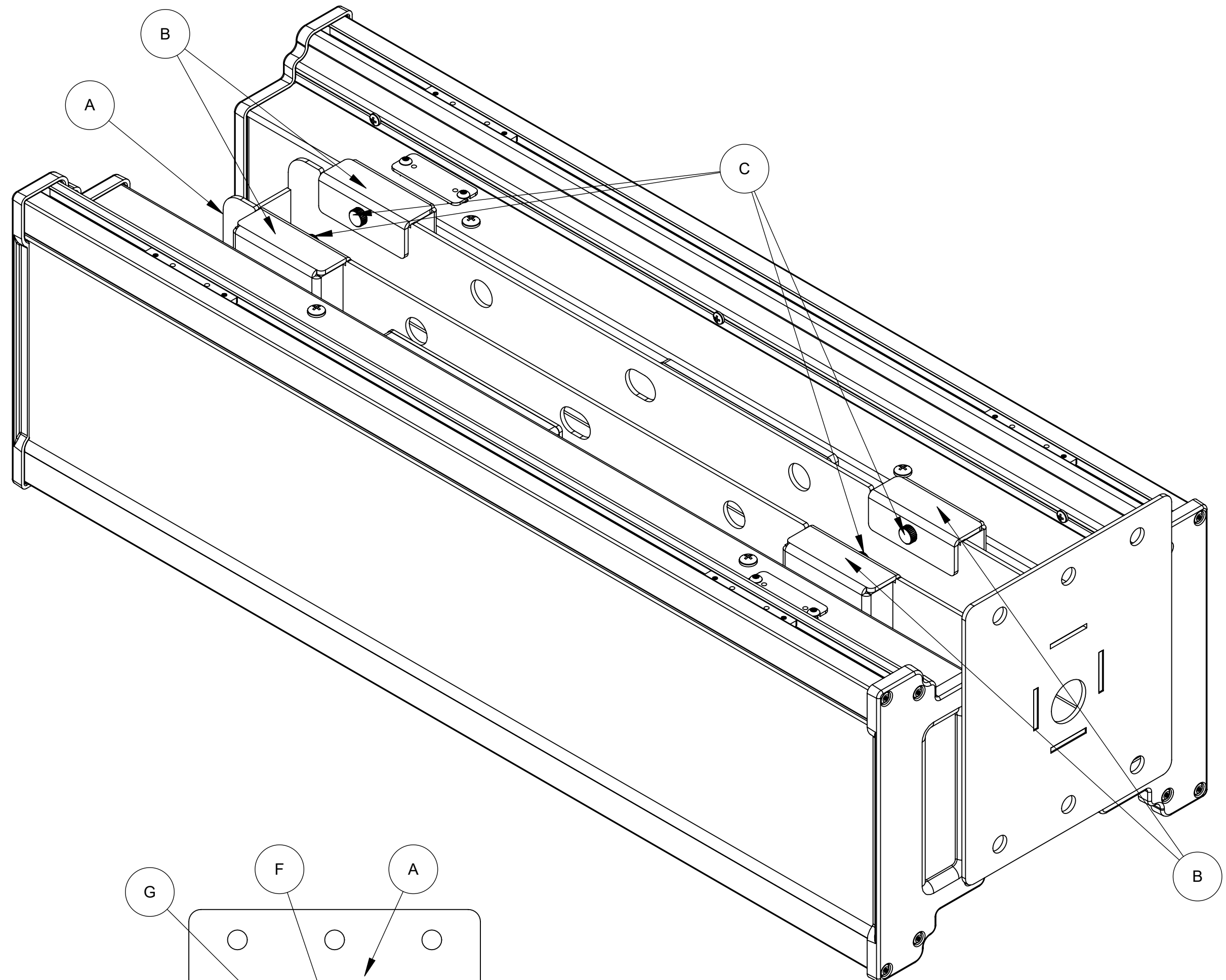
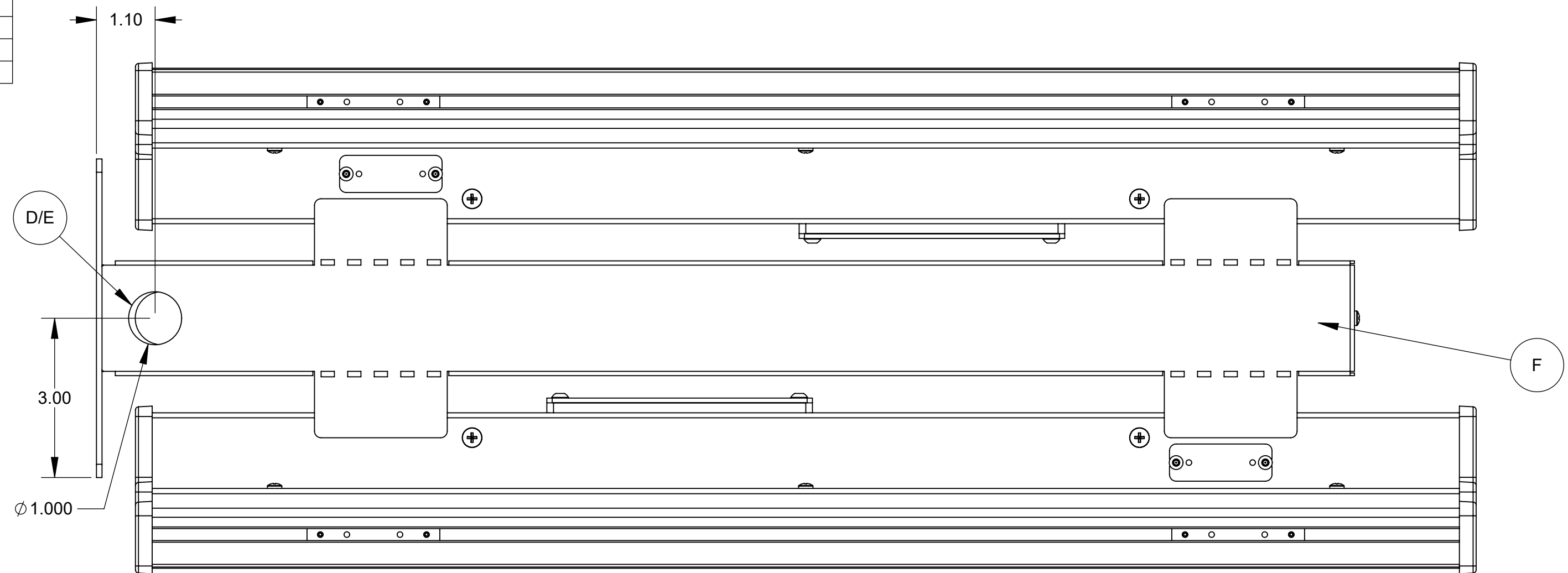
SINGLE SIDED WALL MOUNTING KIT (1776250301)			
ITEM	PART NUMBER	DESCRIPTION	QUANTITY
A	1776005001	4080 CANTILEVER HANGING BRACKET	1
B	1776005201	SIGN MOUNTING BRACKET	2
C	61513003	KNOB/THUMB SCREW 6-32x.375	2
D	63110008	HOLE BUSHING 1.00 INCH (BLACK)	2
E	63600002	HOLE PLUG 1.00 INCH (BLACK)	2
F	1776005301	CANTILEVER BRACKET DUST COVER	1
G	61210747	6-32x.375 SCREW (BLACK)	1



1776250302	KIT,WALL SIDE MOUNTING,4080 MNS PoE,DUAL	2
1776250301	KIT,WALL SIDE MOUNTING,4080 MNS PoE,SINGL	1
PART NUMBER DESCRIPTION		SHEET
DIMENSIONS ARE INCH AND TOLERANCES ARE AS FOLLOWS UNLESS OTHERWISE SPECIFIED:		
X	±0.1	
XX	±0.02	
XXX	±0.008	
ANGLES	±1°	
DESIGNED BY JDW DATE 2/21/2018		TITLE SPEC,SALES DWG,4080 MNS PoE,SIDEWALL MNT
DRAWN BY JDW DATE 2/21/2019		SIZE D DOCUMENT NO. 17765017DR REVISION A
APPROVED BY	DATE	SCALE 1:2 STATUS Released SHEET 1 of 2

REV.	DESCRIPTION	ECO	BY	DATE
A	RELEASED FOR PRODUCTION	-	JDW	02/21/2019

DOUBLE SIDED WALL MOUNTING KIT (1776250302)			
ITEM	PART NUMBER	DESCRIPTION	QUANTITY
A	1776005001	4080 CANTILEVER HANGING BRACKET	1
B	1776005201	SIGN MOUNTING BRACKET	4
C	61513003	KNOB/THUMB SCREW 6-32x.375	4
D	63110008	HOLE BUSHING 1.00 INCH (BLACK)	2
E	63600002	HOLE PLUG 1.00 INCH (BLACK)	2
F	1776005301	CANTILEVER BRACKET DUST COVER	1
G	61210747	6-32x.375 SCREW (BLACK)	1



1776250302		KIT, WALL SIDE MOUNTING, 4080 MNS PoE, DUAL	
PART NUMBER		DESCRIPTION	
DIMENSIONS ARE INCH AND TOLERANCES ARE AS FOLLOWS UNLESS OTHERWISE SPECIFIED:			
X	±0.1	7840 North 80th Street Menasha, WI 53224 USA	
XX	±0.02	<b>Adaptive</b>	
XXX	±0.008	DISPLAY SOLUTIONS	
ANGLES	±1°	TITLE: SPEC, SALES DWG, 4080 MNS PoE, SIDEWALL MNT	
DESIGNED BY	DATE	SIZE	DOCUMENT NO.
JDW	2/21/2018	D	(SEE TABLE FOR PIN)
APPROVED BY	DATE	SCALE	STATUS
JDW	2/21/2019	1:2	Released
		REVISION	SHT
		A	2 of 2