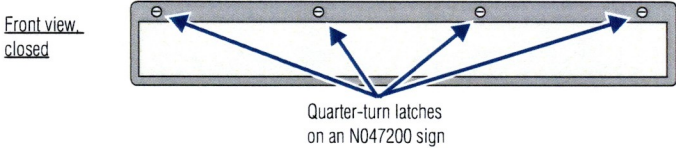
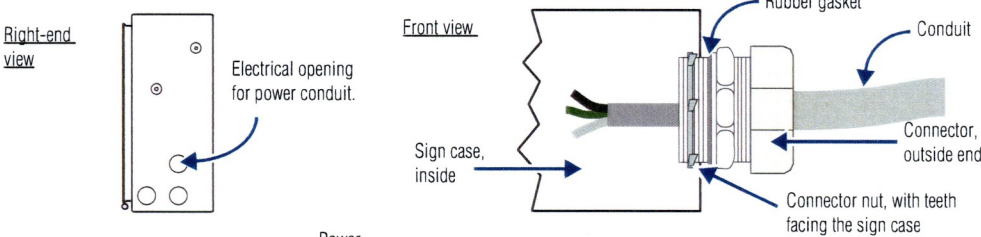
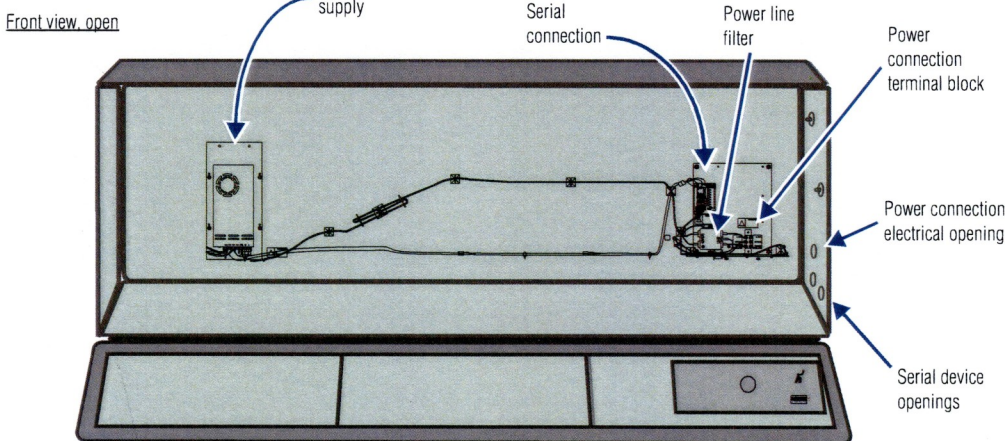


Alpha 7000 series NEMA 4 and 4x models

Model (weight)	Electrical instructions — power supply
<p>N047120C (60 lbs, 27.2 kg)</p> <p>N047160C (70 lbs, 31.8 kg)</p> <p>N047200C (80 lbs, 36.3 kg)</p>	<p>WARNING! Hazardous voltage. Contact with high voltage may cause death or serious injury. Always disconnect power to unit prior to servicing.</p> <p>1. Open the front of the sign case by turning the quarter-turn latches counter-clockwise with a large screwdriver. (On the N047120, there are 3 quarter-turn latches; on the N047160 and the N047200, there are 4.) Carefully let the front of the case drop forward.</p>  <p>2. Feed electrical cable through 1" water-tight conduit, the outside end of the connector (supplied), the electrical opening in the sign case, and then through the inside end of the connector. Screw the inside and outside ends of the connector together until water-tight.</p>  <p>3. Strip the electrical wires back 1/4". Connect the wires by screwing the end of each wire into the power connection.</p>  <p>Power connection:</p> 