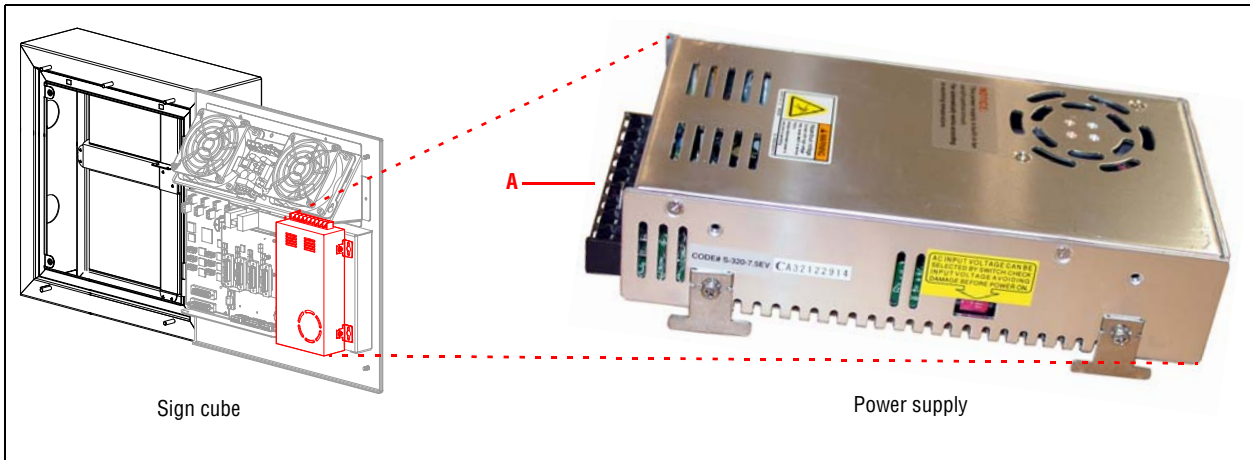
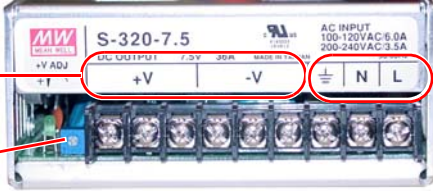
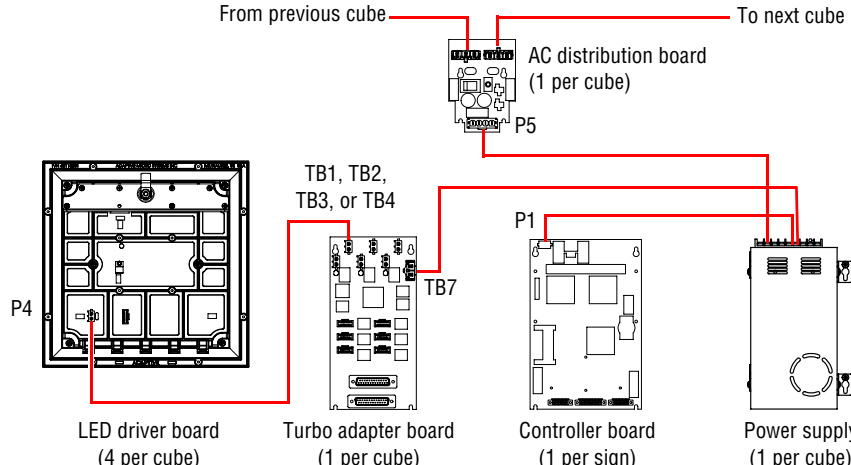
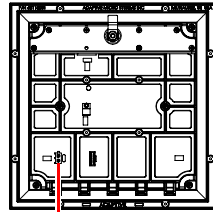
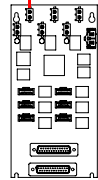
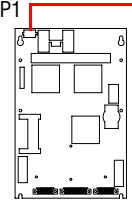
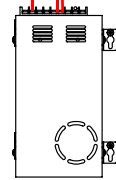


8.75V Power Supply (pn 1180-9037SP)

1.1 Description


In each sign cube there is one power supply which provides power to the cube's turbo adapter board, four LED driver boards, and the controller board (if present). The power supply is connected to the cube's AC adapter board which provides line voltage to the power supply.



Item	PCB Label	Description
A	—	<div style="display: flex; flex-direction: column; align-items: center;">  <div style="display: flex; justify-content: space-around; width: 100%;"> From previous cube To next cube </div>  <div style="display: flex; justify-content: space-around; width: 100%; font-size: small;"> <div style="text-align: center;"> <p>P4</p>  <p>LED driver board (4 per cube)</p> </div> <div style="text-align: center;"> <p>TB1, TB2, TB3, or TB4</p>  <p>Turbo adapter board (1 per cube)</p> </div> <div style="text-align: center;"> <p>P1</p>  <p>Controller board (1 per sign)</p> </div> <div style="text-align: center;"> <p>P5</p>  <p>Power supply (1 per cube)</p> </div> </div> </div>

1.2 Installation

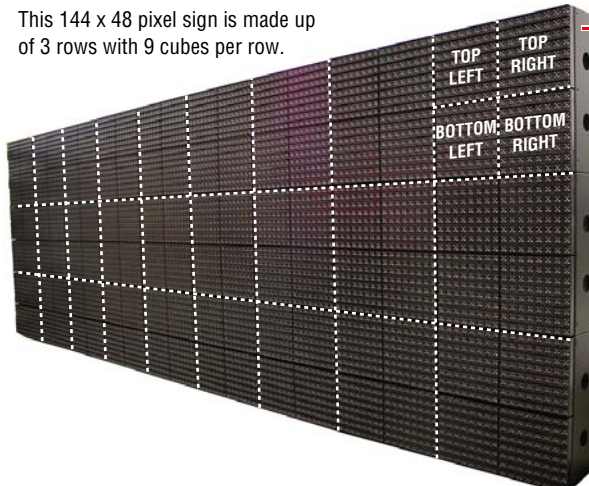
1 Remove power from the sign.



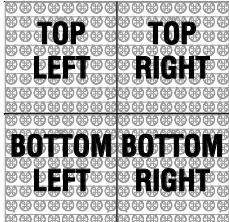
WARNING
Hazardous voltage.
 Contact with high voltage may cause death or serious injury.
 Always disconnect power to unit prior to servicing. SM1000A

2 Locate the cube that contains the power supply which will be replaced.

This 144 x 48 pixel sign is made up of 3 rows with 9 cubes per row.




Each cube has 4 LED boards, named as shown:




FRONT VIEW
LED driver board names

3 To access the power supply, open the back of the cube:



To open the back of a cube:

- Use a 5/32-inch hex tool to loosen each of the two door screws.

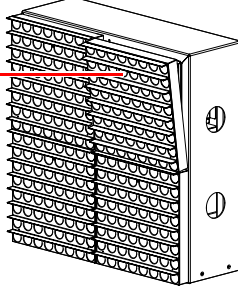


If it is not possible to open the back of the cube, remove the top right and the bottom right LED driver boards from the front of the cube:

To remove an LED driver board:

- Insert a 5/32-inch hex tool into the latch at the upper center of each board.
- Turn the hex tool counterclockwise.
- Lift the board up and then pull it back.
- Remove the data and power connectors from the back of the LED driver board.

NOTE: Each LED driver board must be put back in its *original* location. *LED driver boards are not interchangeable.*



4 Disconnect the power supply.

- Disconnect the cable from the AC adapter board.
- Disconnect the cable from the turbo adapter board.
- Disconnect the cable from the controller board (if present).

5 Loosen, but do *not* remove, the two screws (circled below) on the power supply. Push the power supply up and lift it from the sign.

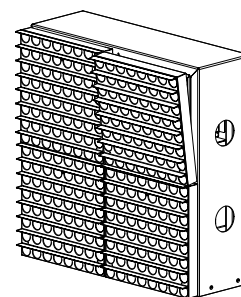
Replacement power supply includes all necessary cables (not shown).

**6 Place the new power supply over the two screws and pull the power supply down. Then tighten each screw.****7 Reattach all connectors to the new power supply.****8 If you opened the back of the sign, close the door and tighten each latch.****If you removed LED driver boards, reattach each driver board:**

To reattach an LED driver board:

NOTE: *Remember to put the each LED driver board back where it was originally.*

- Place the bottom of the LED driver board in the cube opening so that the board can swing freely.
- Reattach the data and power cables.
- Press down on the LED driver board and swing the board up into the cube until it snaps in place.
- Insert a 5/32-inch hex tool into the latch at the upper center of the board.
- Turn the hex tool clockwise.

**9 Apply power to the sign.**



© Copyright 2003 Adaptive Micro Systems, LLC. All rights reserved.
Adaptive Micro Systems • 7840 North 86th Street • Milwaukee, WI 53224 USA • 414-357-2020 • 414-357-2029 (fax) • <http://www.adaptivedisplays.com>
Trademarked names appear throughout this document. Rather than list the names and entities that own the trademarks or insert a trademark symbol with each mention of the trademarked name, the publisher states that it is using names for editorial purposes and to the benefit of the trademark owner with no intention of improperly using the trademark.
The following are trademarks of Adaptive Micro Systems: Adaptive, Alpha, AlphaLert, AlphaNET, AlphaNet plus, AlphaEclipse, AlphaPremiere, AlphaTicker, AlphaVision, AlphaVision InfoTracker, Automode, BetaBrite, BetaBrite Director, BetaBrite Messaging Software, Big Dot, Director, EZ KEY II, EZ95, PagerNET, PPD, PrintPak, Serial Clock, Smart Alec, Solar, TimeNet. The distinctive trade dress of this product is a trademark claimed by Adaptive Micro Systems, LLC.
Due to continuing product innovation, specifications in this manual are subject to change without notice.

December 29, 2003

9711-8020
