



Left Main Display

Right Main Display



Ticker Display

© Copyright 2006 Adaptive Micro Systems LLC. All rights reserved.

Adaptive Micro Systems • 7840 North 86th Street • Milwaukee, WI 53224 USA • 414-357-2020 • 414-357-2029 (fax) • <http://www.adaptivedisplays.com>

Trademarked names appear throughout this document. Rather than list the names and entities that own the trademarks or insert a trademark symbol with each mention of the trademarked name, the publisher states that it is using names for editorial purposes and to the benefit of the trademark owner with no intention of improperly using the trademark.

The following are trademarks of Adaptive Micro Systems: Adaptive, Alpha, AlphaLert, AlphaNET, AlphaNet plus, AlphaEclipse, AlphaEclipse Excite, AlphaEclipse RoadStar, AlphaEclipse StreetSmart, AlphaPremiere, AlphaTicker, AlphaVision, AlphaVision InfoTracker, AlphaVision Infinity, Automode, BetaBrite, BetaBrite Director, BetaBrite Messaging Software, Big Dot, Director, EZ KEY II, EZ95, PagerNET, PPD, PrintPak, Serial Clock, Smart Alec, Solar, TimeNet.

The distinctive trade dress of this product is a trademark claimed by Adaptive Micro Systems LLC.

Due to continuing product innovation, specifications in this manual are subject to change without notice.

Contents

Introduction	3
Purpose	3
Revision history	3
Related documentation	3
Preventing electrostatic discharge damage	3
Safety	3
Equipment description.	4
Outside views.	4
Inside view.	5
Equipment identification	6
Installation	7
Mechanical installation.	7
Electrical and networking installation.	9
Appendix	10
Technical specifications	10
Sign serial addresses.	10
Factory default serial addresses	10
Changing the serial addresses of the main displays	11
Changing the serial addresses of the ticker display	14

Introduction

Purpose

This manual explains how to mount and electrically connect an AlphaVision FS Series Double 1.4-inch with Ticker sign and is intended for sign installers.

Revision history

Revision	Date	Notes
1121610201	April 28, 2006	First release.

Related documentation

The following documentation is located on Adaptive Micro Systems web site at:
www.adaptivedisplays.com/manuals:

Part #	Title
9712-7016	Theater Installation Guide

Preventing electrostatic discharge damage



This equipment contains components that may be damaged by “static electricity”, or electrostatic discharge. To prevent this from happening, be sure to follow the guidelines in Adaptive Tech Memo 00-0005, “*Preventing Electrostatic Discharge (ESD) Damage*,” available on our Web site at <http://www.adaptivedisplays.com>.

Safety



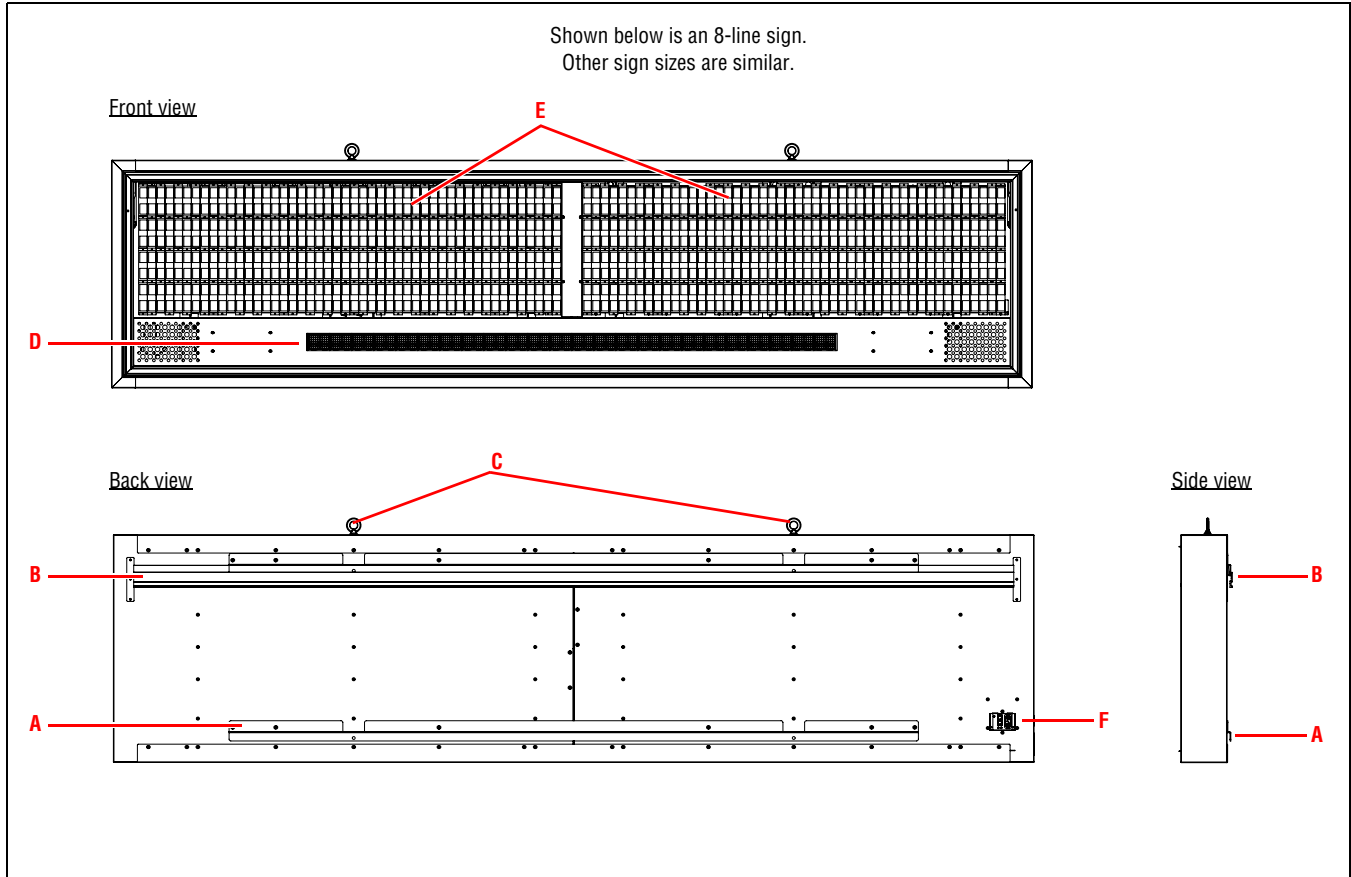
Not for use in a computer room as defined in the Standard for the Protection of Electronic Computer/Data Processing Equipment, ANSI/NFPA 75.

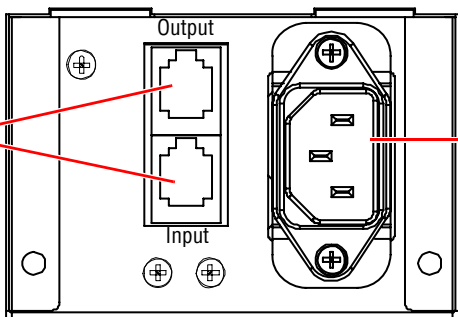
Ne peut être utilisé dans une salle d'ordinateurs telle que définie dans la norme ANSI/NFPA 75 Standard for Protection of Electronic Computer/Data Processing Equipment.

Other warnings and cautions are posted in appropriate locations throughout this manual.

Equipment description

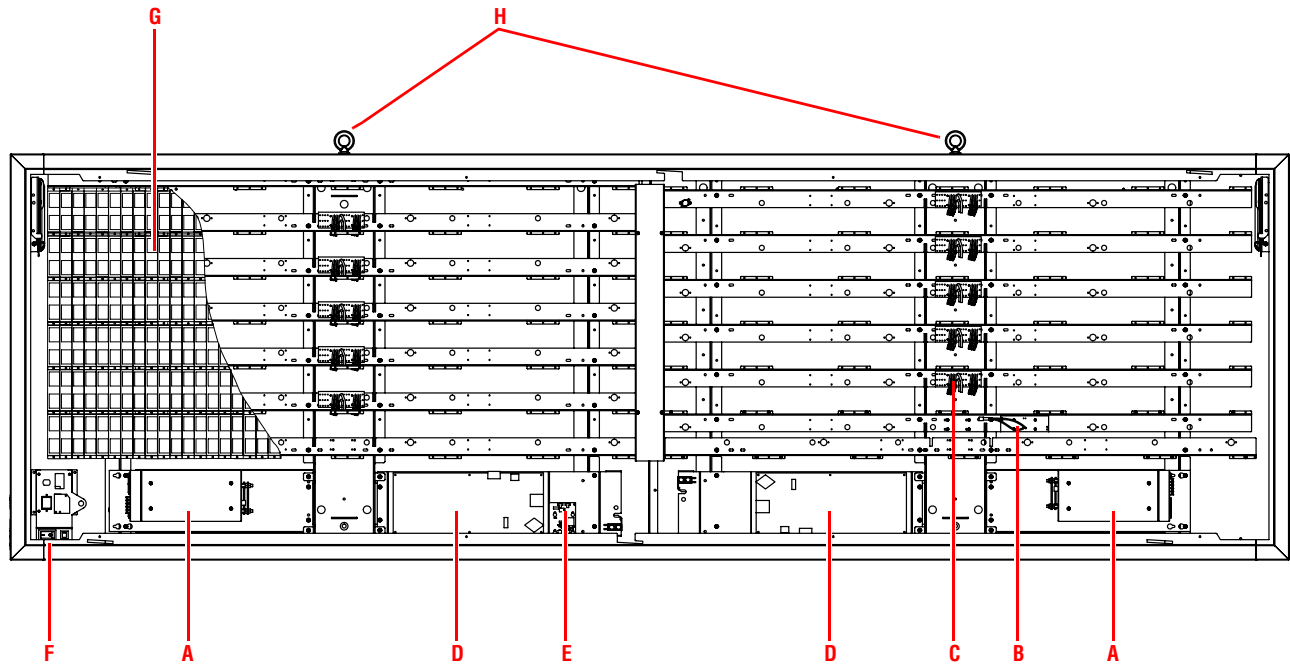
Outside views



Item	Name	Description
A	Bottom mounting rail	Used to hang a sign on a wall. Both rails should be used.
B	Top mounting rail	
C	Lifting hooks	Used to lift a sign up for mounting.
D	Ticker	2.1-inch character LED ticker display.
E	Double display	Two, 1.4-inch LED displays.
F	Power and communication outlets	<p>120/230V power connection and RS485 jacks used to send messages to a sign:</p>  <p>RS485 jacks — multiple signs can be “daisy chained” together as shown below:</p> <p>Power outlet should be <i>within 6 feet</i> of this plug.</p> <p>Power cable must use at least 14AWG wire and be no longer than 9 feet 10 inches.</p> <p>Do NOT put a power outlet directly under this plug.</p>

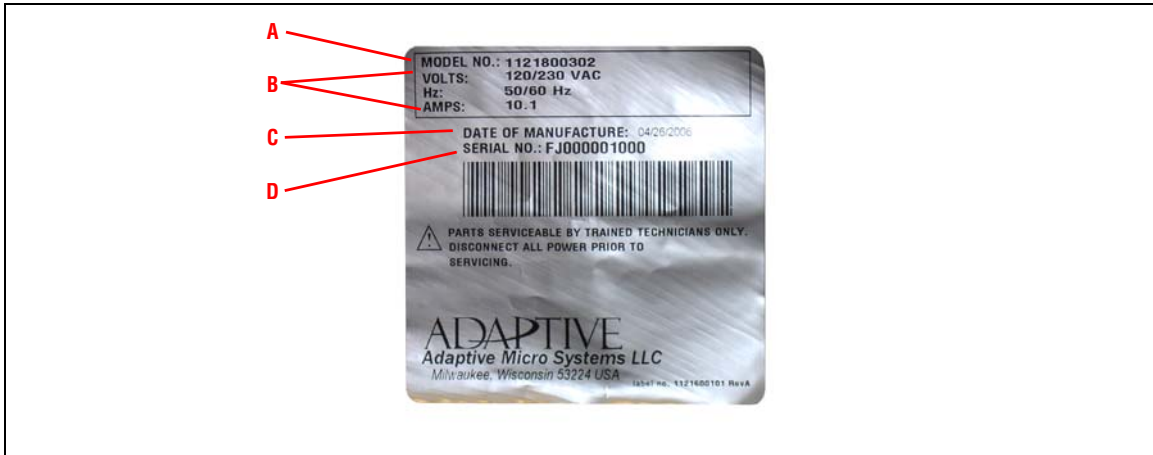
Inside view

Shown below is a 12-line sign with its fascia and ticker display removed.
Other sign sizes are similar.



Item	Name	Description
A	Power supply	
B	Loopback board	
C	Power distribution board	
D	Controller	
E	DC-to-DC-converter	
F	On/Off switch and sign breaker reset	
G	LED boards	
H	Lifting eyebolts	

Equipment identification



Item	Name	Description
A	Model number	Part number of sign.
B	Electrical information	Input voltage, frequency, and amperage.
C	Date of manufacture	Month, day, and year the sign was made.
D	Serial number	Consecutive, unique identification number.

Installation

Mechanical installation

There are two mounting options for this sign: (1) ceiling mounting and (2) wall mounting:

Ceiling mounting

The ceiling, ceiling eyebolts, and chains must all be able to support *at least* four (4) times the weight of the sign:

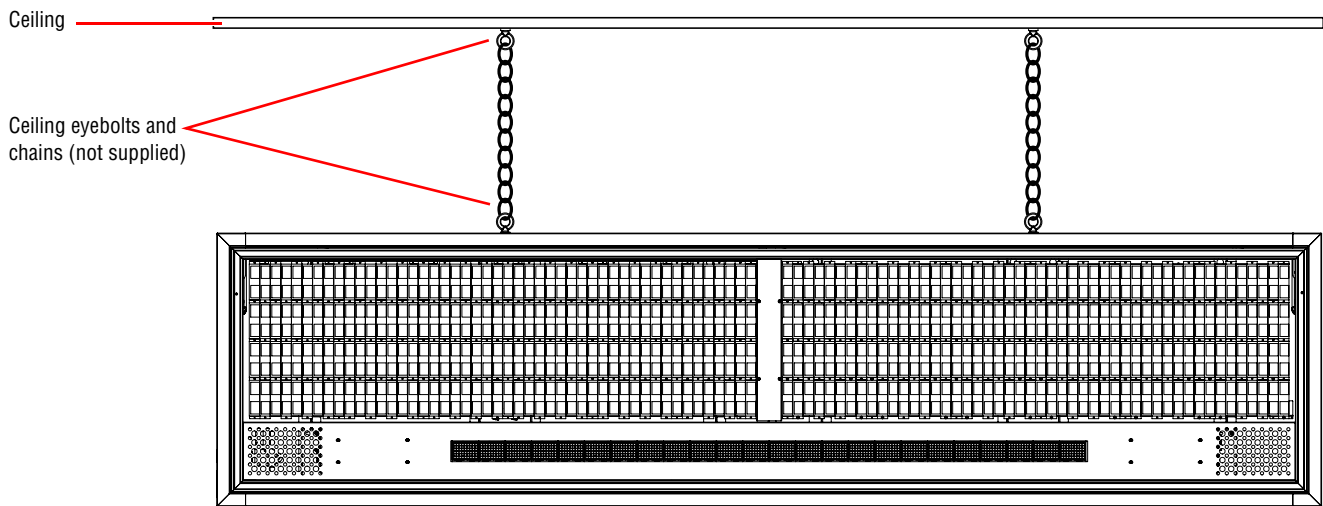


Figure 1: Ceiling mounting.

Wall mounting

To wall mount a sign:

- Attach the top and bottom mounting rails (see below) to a wall capable of supporting at least four (4) times the weight of the sign.
- Then mount the sign on these two rails.

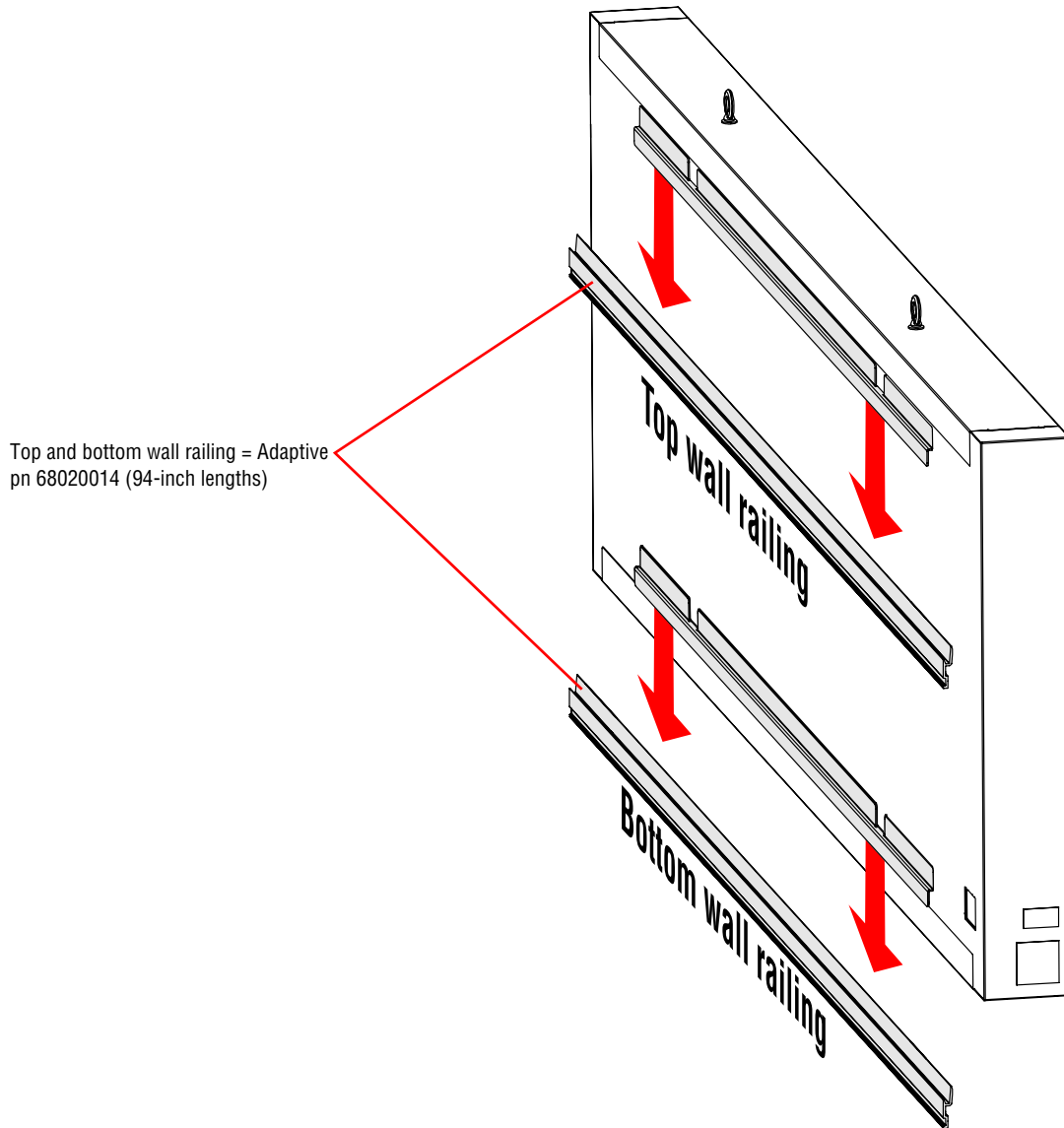


Figure 2: Wall mounting.

Electrical and networking installation

- For sign current requirements, see "Equipment identification" on page 6.
- For more information on sign networking, see the **Theater Installation Guide** (pn 9712-7016):

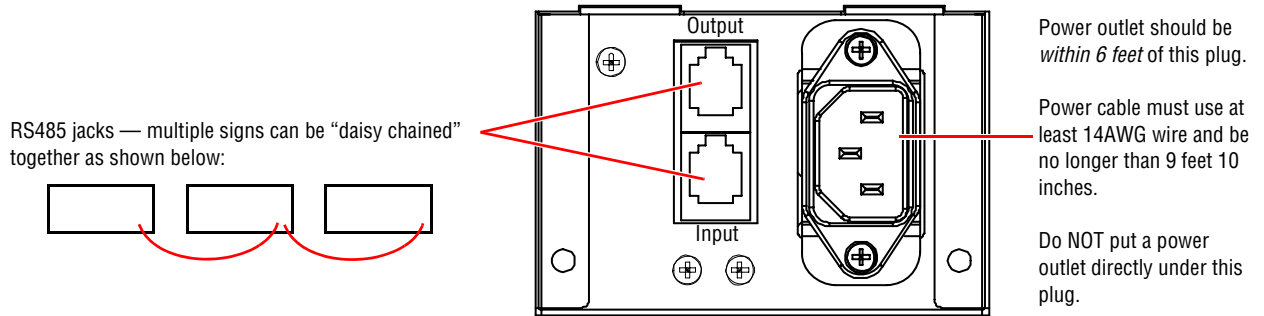


Figure 3: Power and communication outlets

Appendix

Technical specifications

Model number (see page 6)	Character columns (each sign)	Lines	Width (in)	Height (in)	Depth (in)	Weight (lbs)	Power supplies	LED driver boards	Controller boards	Power (watts)	Current		Frequency (Hz)
											120V	230V	
FSCM048008P02TRI	48	8	126	32	7	197	2	48	3	1212	10.1	5.05	50/60
FSCM048010P02TRI	48	10	126	36	7	224	2	60	3	1404	11.7	5.85	50/60
FSCM048012P02TRI	48	12	126	40	7	250	2	72	3	1596	13.3	6.65	50/60
FSCM048008P02UBR	48	8	126	32	7	197	2	48	3	1212	10.1	5.05	50/60
FSCM048010P02UBR	48	10	126	36	7	224	2	60	3	1404	11.7	5.85	50/60
FSCM048012P02UBR	48	12	126	40	7	250	2	72	3	1596	13.3	6.65	50/60
FSCM048008P02SBR	48	8	126	32	7	197	2	48	3	1212	10.1	5.05	50/60
FSCM048010P02SBR	48	10	126	36	7	224	2	60	3	1404	11.7	5.85	50/60
FSCM048012P02SBR	48	12	126	40	7	250	2	72	3	1596	13.3	6.65	50/60

NOTES:

Sign serial addresses

Factory default serial addresses

A sign is divided into three areas. A message can be sent to each one of these areas as long as the correct serial address of the area is used:

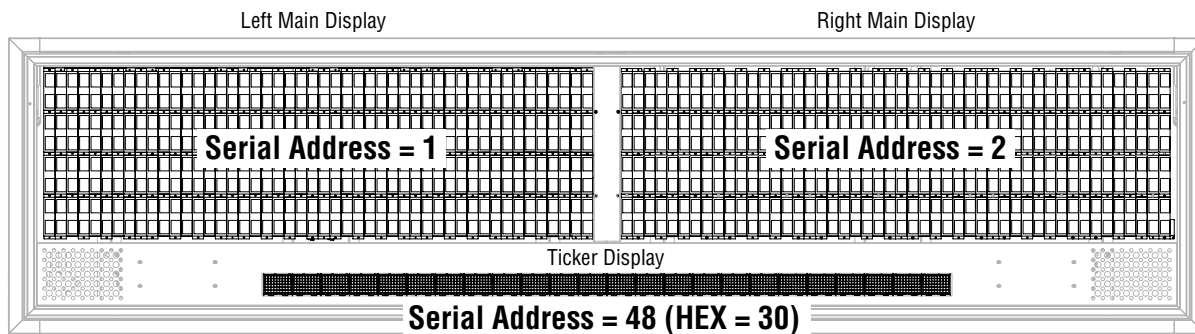
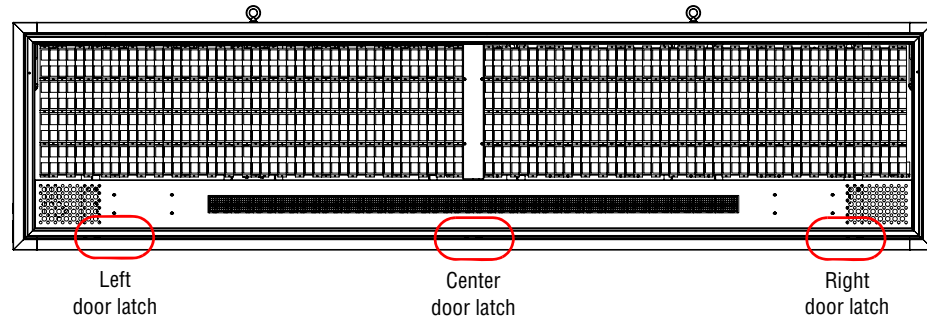


Figure 4: The three areas of a sign and factory default serial addresses.

Changing the serial addresses of the main displays

1. Remove power from the sign at the source. This will probably mean turning off an electrical panel box breaker that supplies power to the sign.
2. Open the sign door:
 - Remove the screw for the left and right door latch.
 - Slide each door latch to unlock the sign door.
 - Lift the sign door up.



Remove the screw (circled below) from a door latch before trying to move the latch.

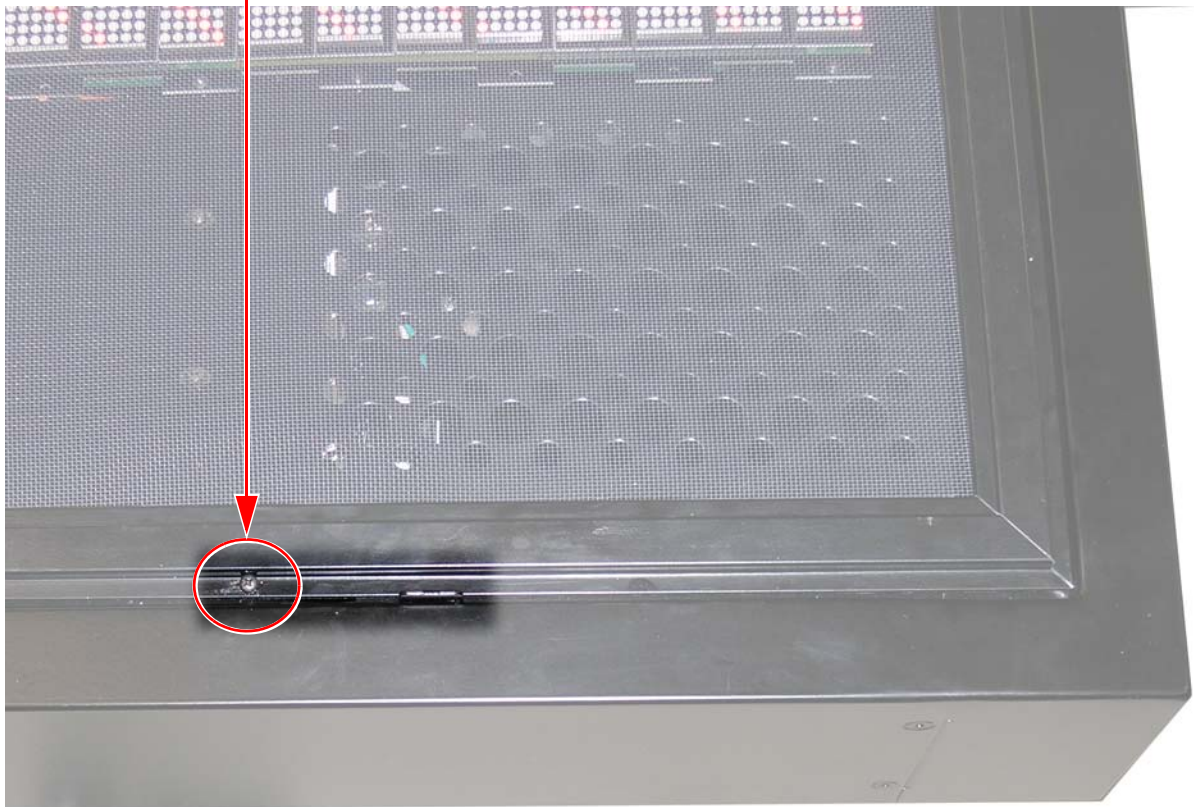


Figure 5: Sign door latches.

3. Remove the screws (circled below) that hold the sign's fascia to the sign. Then pull the fascia off the sign:

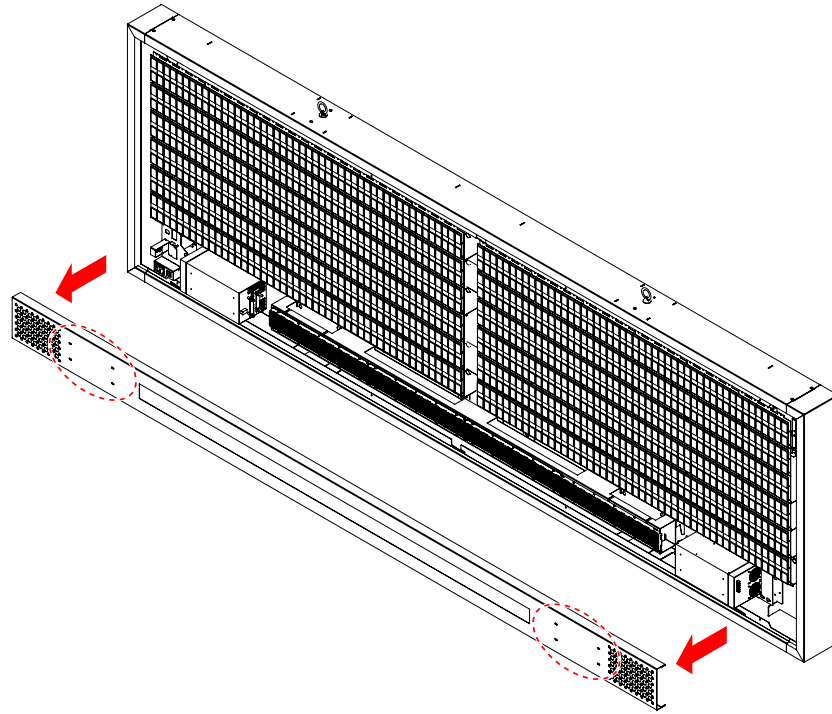


Figure 6: Fascia removal.

4. Remove the ticker LED display from the sign in order to expose the sign's controller boards:

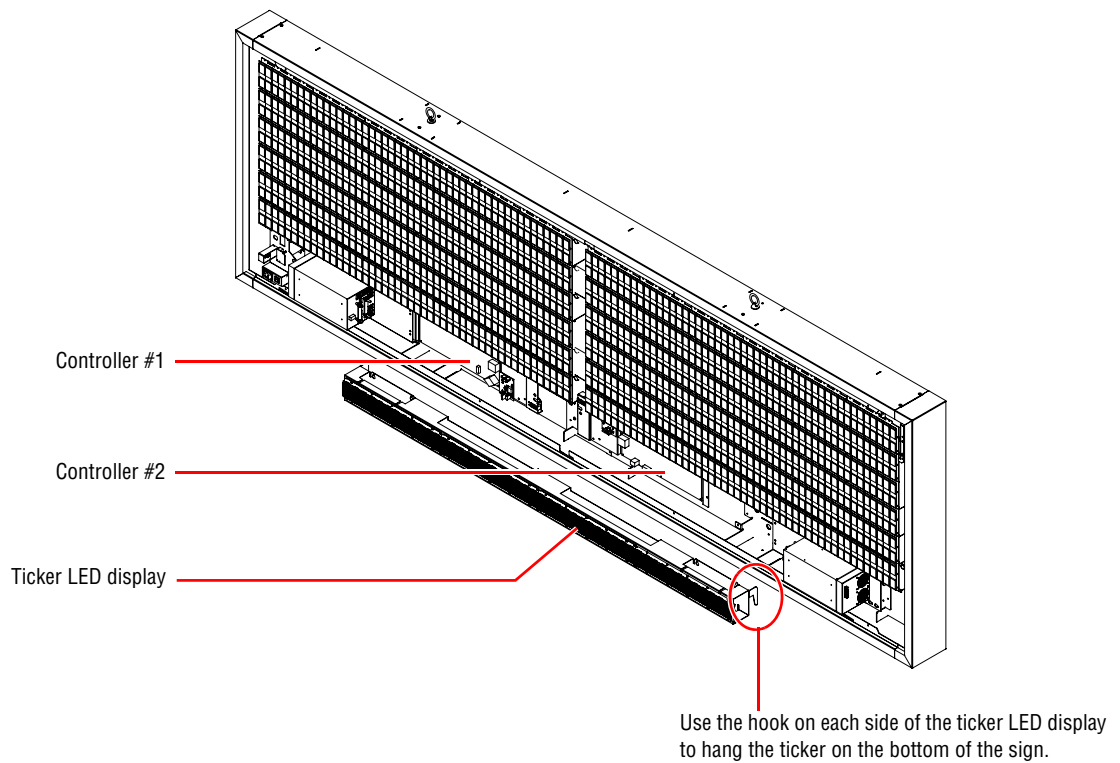
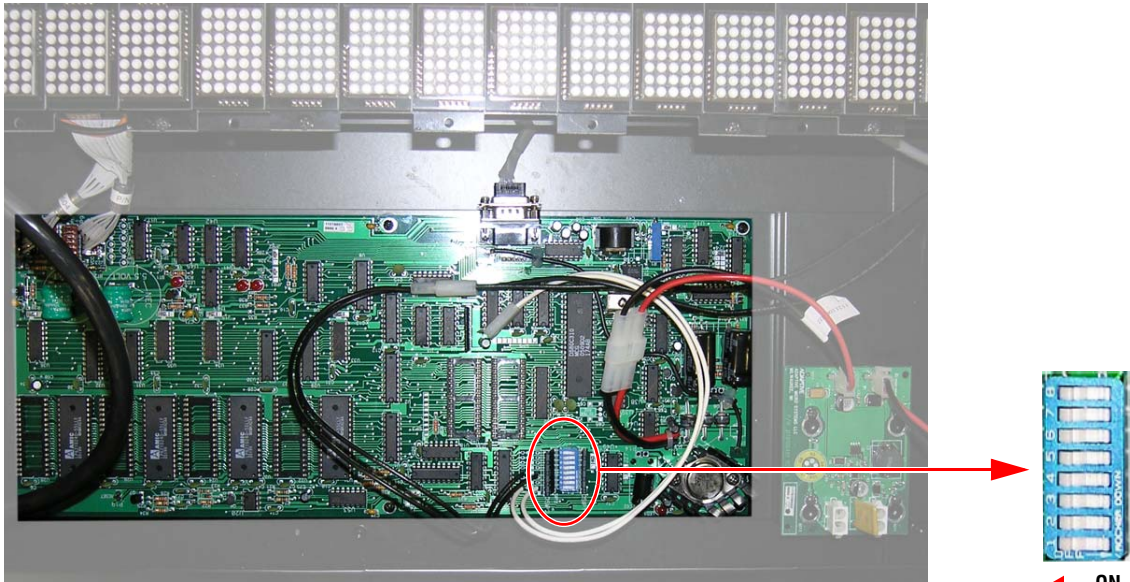


Figure 7: Controller board locations.

5. Use the DIP switches on each controller board to set the sign's serial addresses:
 - Controller #1 sets the serial address for the left side LED display.
 - Controller #2 sets the serial address for the right side LED display.

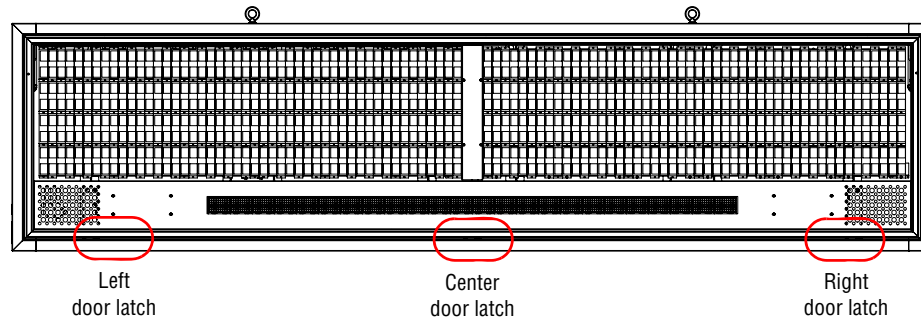


To set a new serial address, see "DIP switch settings" on page 17.

Figure 8: Main display DIP switches.

Changing the serial addresses of the ticker display

1. Remove power from the sign at the source. This will probably mean turning off an electrical panel box breaker that supplies power to the sign.
2. Open the sign door:
 - Remove the screw for the left and right door latch.
 - Slide each door latch to unlock the sign door.
 - Lift the sign door up.



Remove the screw (circled below) from a door latch before trying to move the latch.

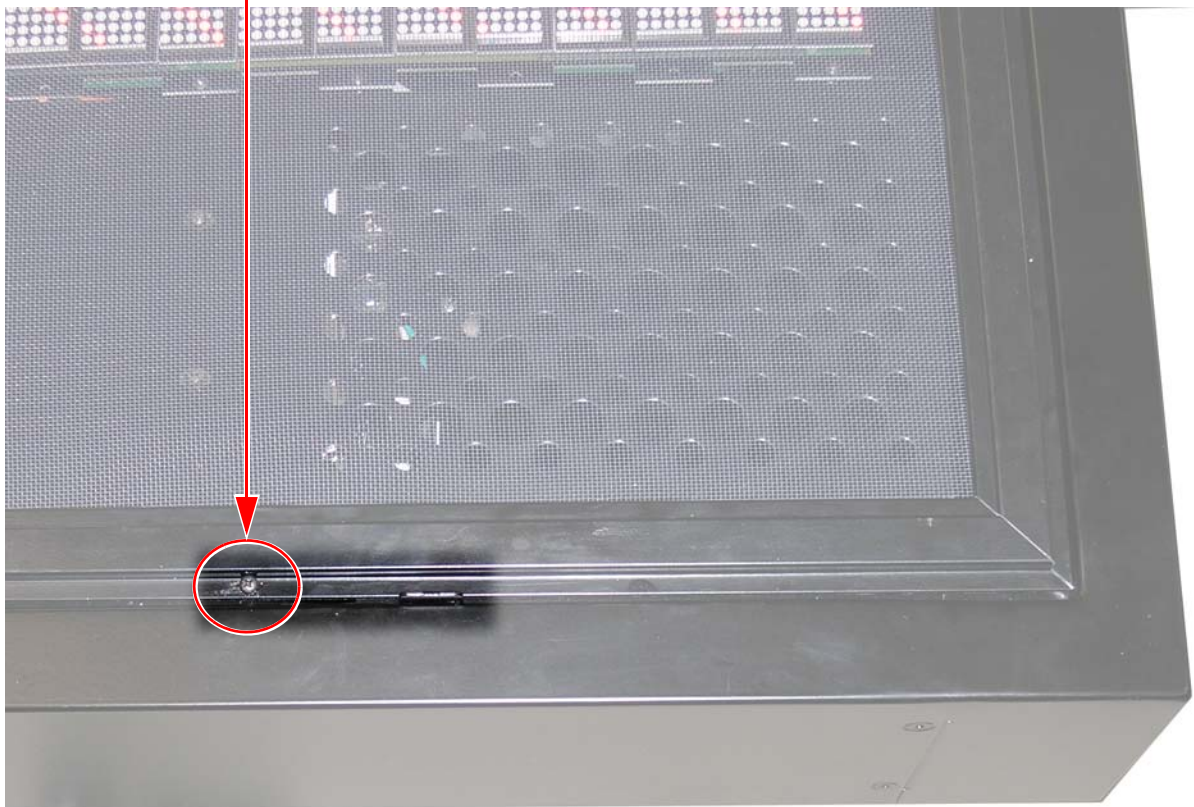


Figure 9: Sign door latches.

3. Remove the screws (circled below) that hold the sign's fascia to the sign. Then pull the fascia off the sign:

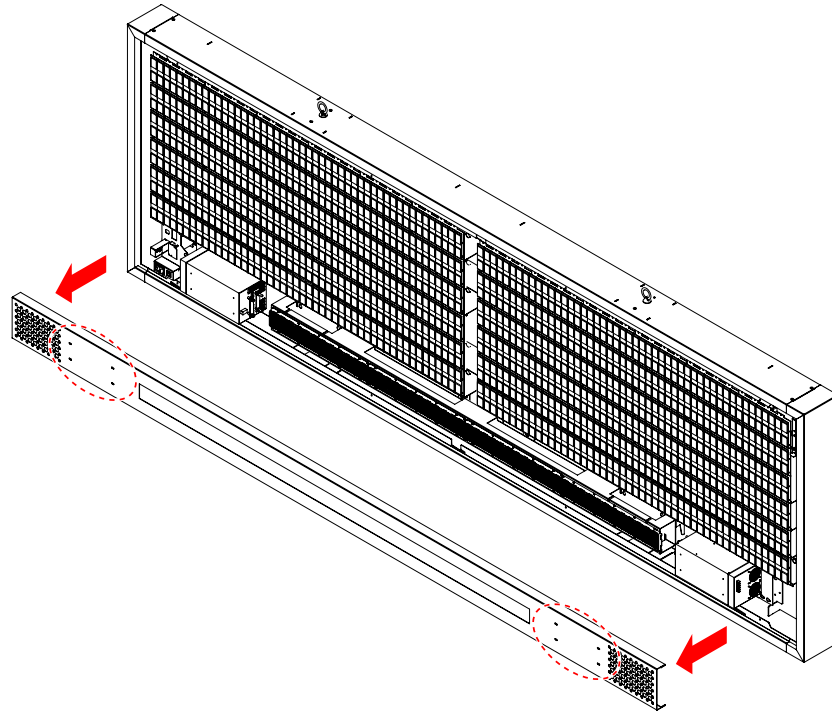


Figure 10: Fascia removal.

4. Loosen the eight (8) screws that hold the ticker display to the sign.

5. Remove the ticker LED display from the sign and hang the ticker on the bottom of the sign:

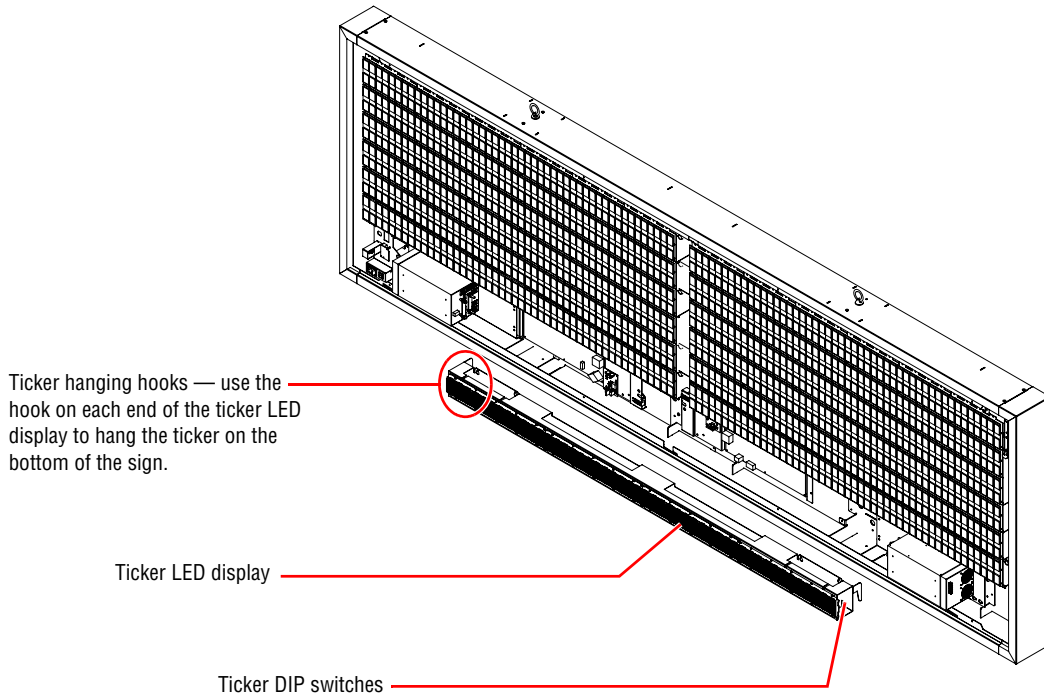


Figure 11: Ticker display removal.

6. To change the serial address of the ticker display, change the DIP switches on the ticker display itself:

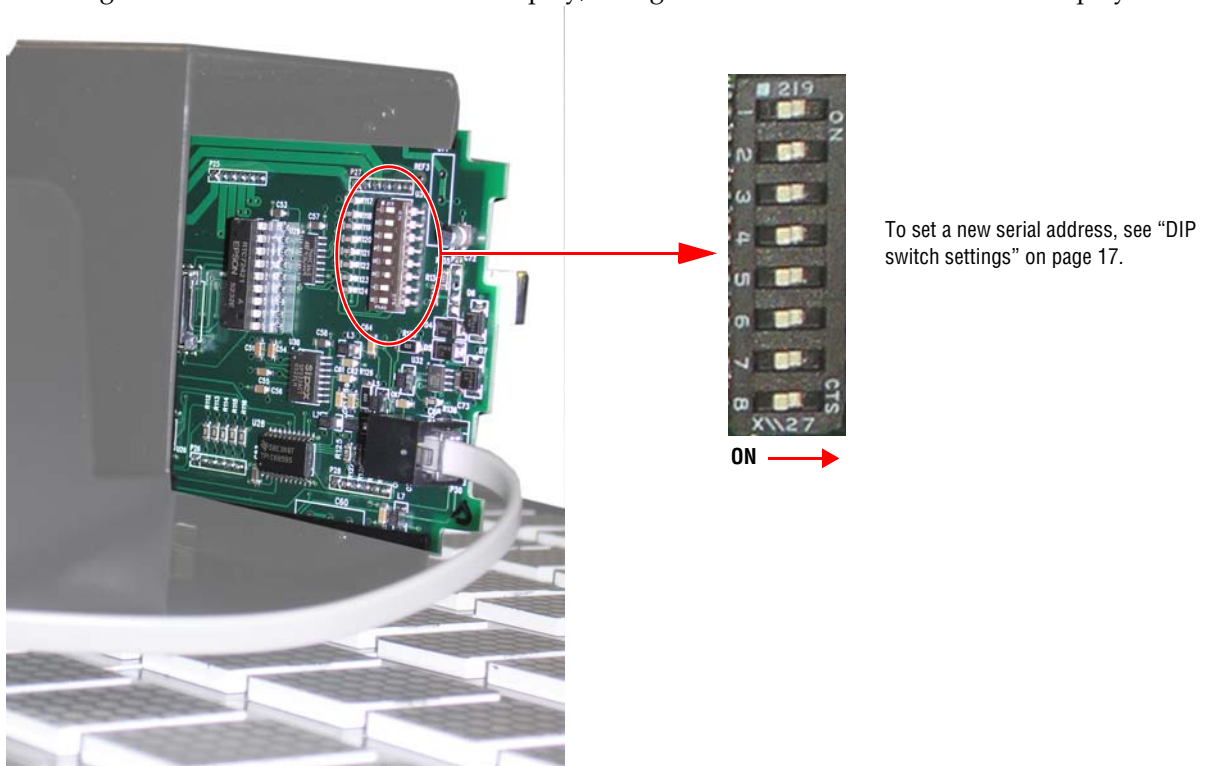


Figure 12: Ticker display DIP switches.

DIP switch settings

- Display DIP switch (There are *two* of these — one on each controller. See “Changing the serial addresses of the main displays” on page 11):



- Ticker display DIP switch (See “Changing the serial addresses of the ticker display” on page 14):



To set this Serial Address . . .	Set these DIP switches . . .							
	1	2	3	4	5	6	7	8
1	ON	OFF	OFF	OFF	OFF	OFF	OFF	OFF
2	OFF	ON	OFF	OFF	OFF	OFF	OFF	OFF
3	ON	ON	OFF	OFF	OFF	OFF	OFF	OFF
4	OFF	OFF	ON	OFF	OFF	OFF	OFF	OFF
5	ON	OFF	ON	OFF	OFF	OFF	OFF	OFF
6	OFF	ON	ON	OFF	OFF	OFF	OFF	OFF
7	ON	ON	ON	OFF	OFF	OFF	OFF	OFF
8	OFF	OFF	OFF	ON	OFF	OFF	OFF	OFF
9	ON	OFF	OFF	ON	OFF	OFF	OFF	OFF
10	OFF	ON	OFF	ON	OFF	OFF	OFF	OFF
11	ON	ON	OFF	ON	OFF	OFF	OFF	OFF
12	OFF	OFF	ON	ON	OFF	OFF	OFF	OFF
13	ON	OFF	ON	ON	OFF	OFF	OFF	OFF
14	OFF	ON	ON	ON	OFF	OFF	OFF	OFF
15	ON	ON	ON	ON	OFF	OFF	OFF	OFF
16	OFF	OFF	OFF	OFF	ON	OFF	OFF	OFF
17	ON	OFF	OFF	OFF	ON	OFF	OFF	OFF
18	OFF	ON	OFF	OFF	ON	OFF	OFF	OFF
19	ON	ON	OFF	OFF	ON	OFF	OFF	OFF
20	OFF	OFF	ON	OFF	ON	OFF	OFF	OFF
21	ON	OFF	ON	OFF	ON	OFF	OFF	OFF
22	OFF	ON	ON	OFF	ON	OFF	OFF	OFF
23	ON	ON	ON	OFF	ON	OFF	OFF	OFF
24	OFF	OFF	OFF	ON	ON	OFF	OFF	OFF
25	ON	OFF	OFF	ON	ON	OFF	OFF	OFF
26	OFF	ON	OFF	ON	ON	OFF	OFF	OFF
27	ON	ON	OFF	ON	ON	OFF	OFF	OFF
28	OFF	OFF	ON	ON	ON	OFF	OFF	OFF
29	ON	OFF	ON	ON	ON	OFF	OFF	OFF
30	OFF	ON	ON	ON	ON	OFF	OFF	OFF

To set this Serial Address . . .	Set these DIP switches . . .							
	1	2	3	4	5	6	7	8
31	ON	ON	ON	ON	ON	OFF	OFF	OFF
32	OFF	OFF	OFF	OFF	OFF	ON	OFF	OFF
33	ON	OFF	OFF	OFF	OFF	ON	OFF	OFF
34	OFF	ON	OFF	OFF	OFF	ON	OFF	OFF
35	ON	ON	OFF	OFF	OFF	ON	OFF	OFF
36	OFF	OFF	ON	OFF	OFF	ON	OFF	OFF
37	ON	OFF	ON	OFF	OFF	ON	OFF	OFF
38	OFF	ON	ON	OFF	OFF	ON	OFF	OFF
39	ON	ON	ON	OFF	OFF	ON	OFF	OFF
40	OFF	OFF	OFF	ON	OFF	ON	OFF	OFF
41	ON	OFF	OFF	ON	OFF	ON	OFF	OFF
42	OFF	ON	OFF	ON	OFF	ON	OFF	OFF
43	ON	ON	OFF	ON	OFF	ON	OFF	OFF
44	OFF	OFF	ON	ON	OFF	ON	OFF	OFF
45	ON	OFF	ON	ON	OFF	ON	OFF	OFF
46	OFF	ON	ON	ON	OFF	ON	OFF	OFF
47	ON	ON	ON	ON	OFF	ON	OFF	OFF
48	OFF	OFF	OFF	OFF	ON	ON	OFF	OFF
49	ON	OFF	OFF	OFF	ON	ON	OFF	OFF
50	OFF	ON	OFF	OFF	ON	ON	OFF	OFF
51	ON	ON	OFF	OFF	ON	ON	OFF	OFF
52	OFF	OFF	ON	OFF	ON	ON	OFF	OFF
53	ON	OFF	ON	OFF	ON	ON	OFF	OFF
54	OFF	ON	ON	OFF	ON	ON	OFF	OFF
55	ON	ON	ON	OFF	ON	ON	OFF	OFF
56	OFF	OFF	OFF	ON	ON	ON	OFF	OFF
57	ON	OFF	OFF	ON	ON	ON	OFF	OFF
58	OFF	ON	OFF	ON	ON	ON	OFF	OFF
59	ON	ON	OFF	ON	ON	ON	OFF	OFF
60	OFF	OFF	ON	ON	ON	ON	OFF	OFF

THIS PAGE INTENTIONALLY LEFT BLANK.