

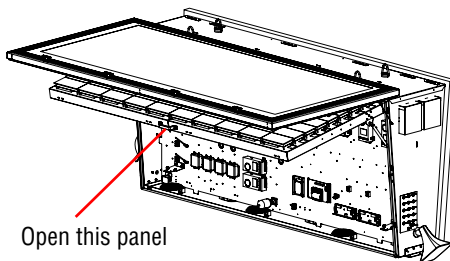
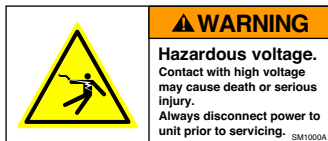
<b>PRIORITY:</b>	High
<b>DATE:</b>	October 24, 2006
<b>TITLE:</b>	AVPC Fan Replacement Kit Instructions
<b>ECO REFERENCE:</b>	10676
<b>PRODUCT(S) AFFECTED:</b>	AVPC320112T1, AVPC320112T2, AVPC320128T1, AVPC320128T2
<b>SUMMARY:</b>	These instructions explain how to improve the cooling capability of these signs by removing the filter guards and filters from the exhaust vents and replacing them with fan assemblies. Kit Part Number: 1132230301.  NOTE: You will need two (2) AVPC Fan Replacement Kits to service a double-sided sign.

**ALL PREVIOUS VERSIONS OF THIS SERVICE BULLETIN ARE OBSOLETE.**

**1**

**Disconnect power and open sign:**

Be aware of the following safety considerations when servicing signs:



- Disconnect all power from the sign at the power source to prevent electrical injury or damage.
- Turn the panel latches counter-clockwise. Carefully raise the panel of the sign.
- Engage support latches if applicable.

© Copyright 2006 Adaptive Micro Systems LLC. All rights reserved.

Adaptive Micro Systems • 7840 North 86th Street • Milwaukee, WI 53224 USA • 414-357-2020 • 414-357-2029 (fax) • <http://www.adaptivedisplays.com>  
Trademarked names appear throughout this document. Rather than list the names and entities that own the trademarks or insert a trademark symbol with each mention of the trademarked name, the publisher states that it is using names for editorial purposes and to the benefit of the trademark owner with no intention of improperly using the trademark.

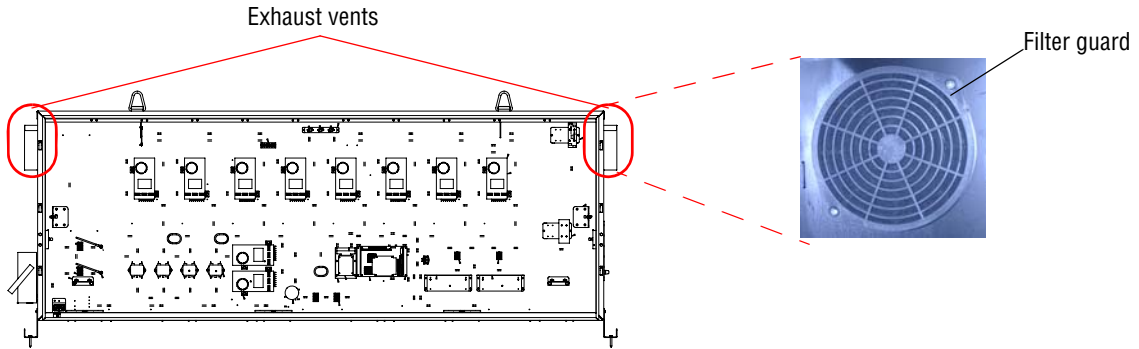
The following are trademarks of Adaptive Micro Systems: Adaptive, Alpha, AlphaLert, AlphaNET, AlphaNet plus, AlphaEclipse, AlphaEclipse RoadStar, AlphaEclipse StreetSmart, AlphaPremiere, AlphaTicker, AlphaVision, AlphaVision InfoTracker, Automode, BetaBrite, BetaBrite Director, BetaBrite Messaging Software, Big Dot, Director, EZ KEY II, EZ95, PagerNET, PPD, PrintPak, Serial Clock, Smart Alec, Solar, TimeNet.

The distinctive trade dress of this product is a trademark claimed by Adaptive Micro Systems LLC.  
Due to continuing product innovation, specifications in this manual are subject to change without notice.

## 2

### Remove the filter guards and filters from the exhaust vents:

- Remove the two (2) screws, filter guard and filter from the exhaust vent.
- If the filter is clean, place it in the document bag for future use.
- Discard the filter guard and screws.
- Repeat this step for the each exhaust vent.

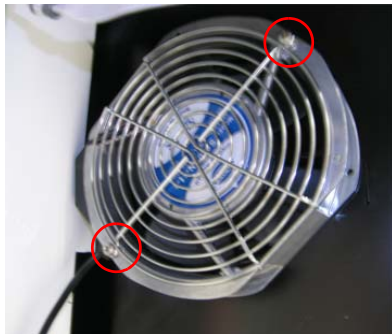


## 3

### Replace with fan assembly:

- Plug the fan cord into the fan assembly.
- Seat the fan assembly into position and hand tighten the two (2) screws until tight.

NOTE: Do not torque the screws more than 12 in-lbs.



- Repeat this step for the each fan assembly.

## 4

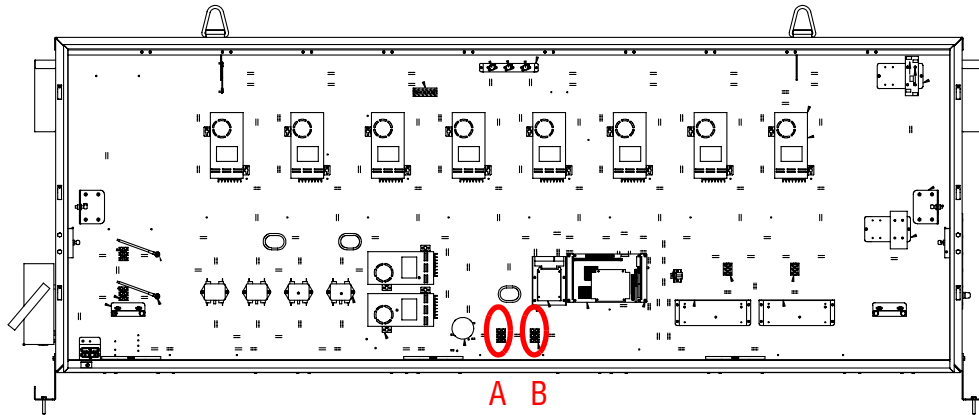
### For double-sided signs, run the fan cable from the slave side to the master side.

Route the wires from the fan on the slave side through the side of the sign so you can reach them from the master side.

# 5

## Remove the terminal blocks:

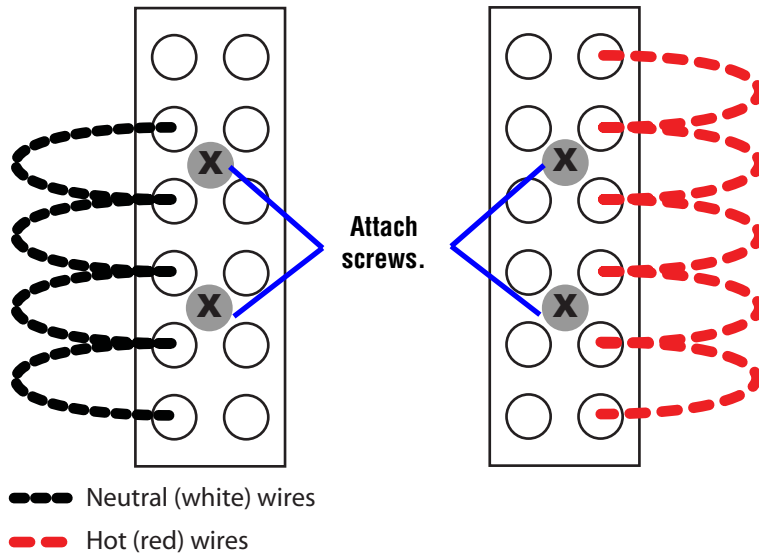
- Disconnect all wires from both terminal blocks.
- Using a #2 Phillips screwdriver, remove the two screws from each terminal block. Save the screws, you will need them later.
- Pull off each terminal block and the wires running between them.
- Discard the terminal blocks and the wiring connecting them.



# 6

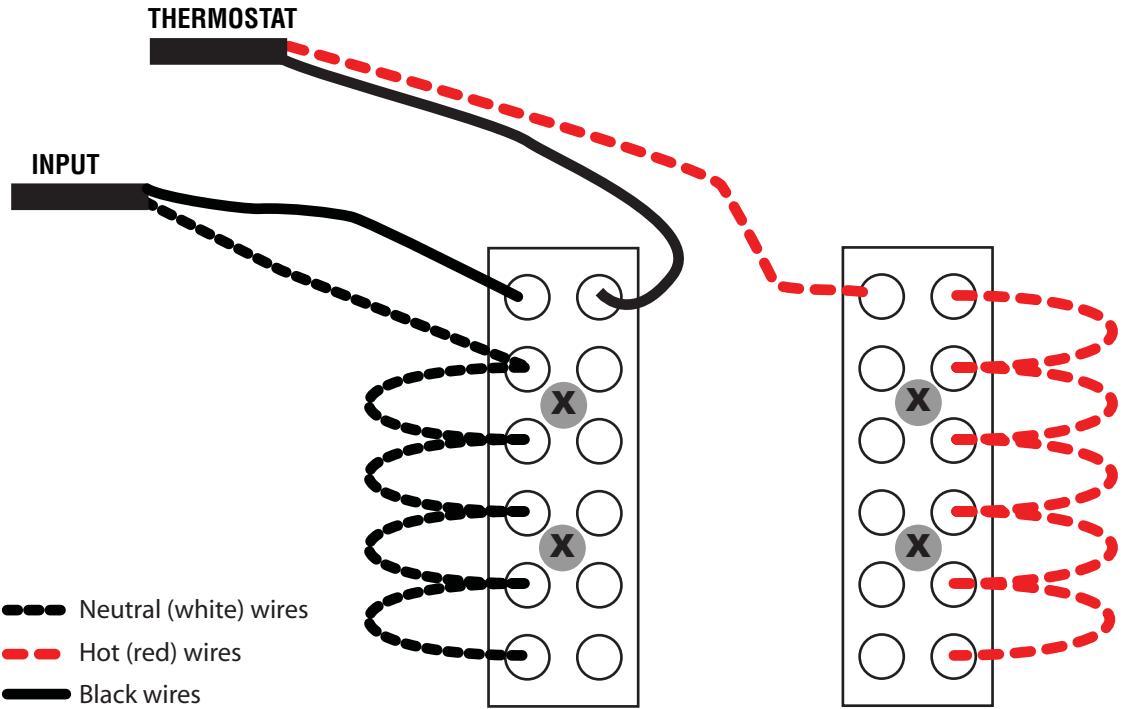
## Attach new terminal blocks:

Prewired Terminal Blocks



# 7

## Connect the INPUT and THERMOSTAT wires:

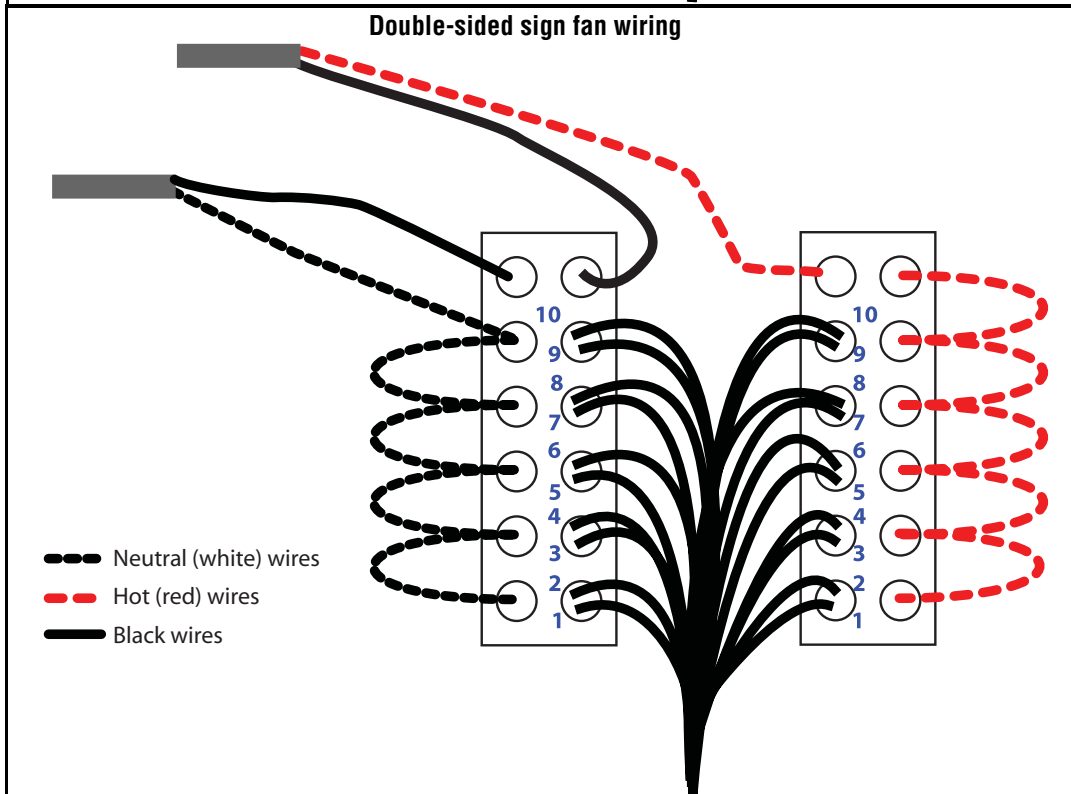
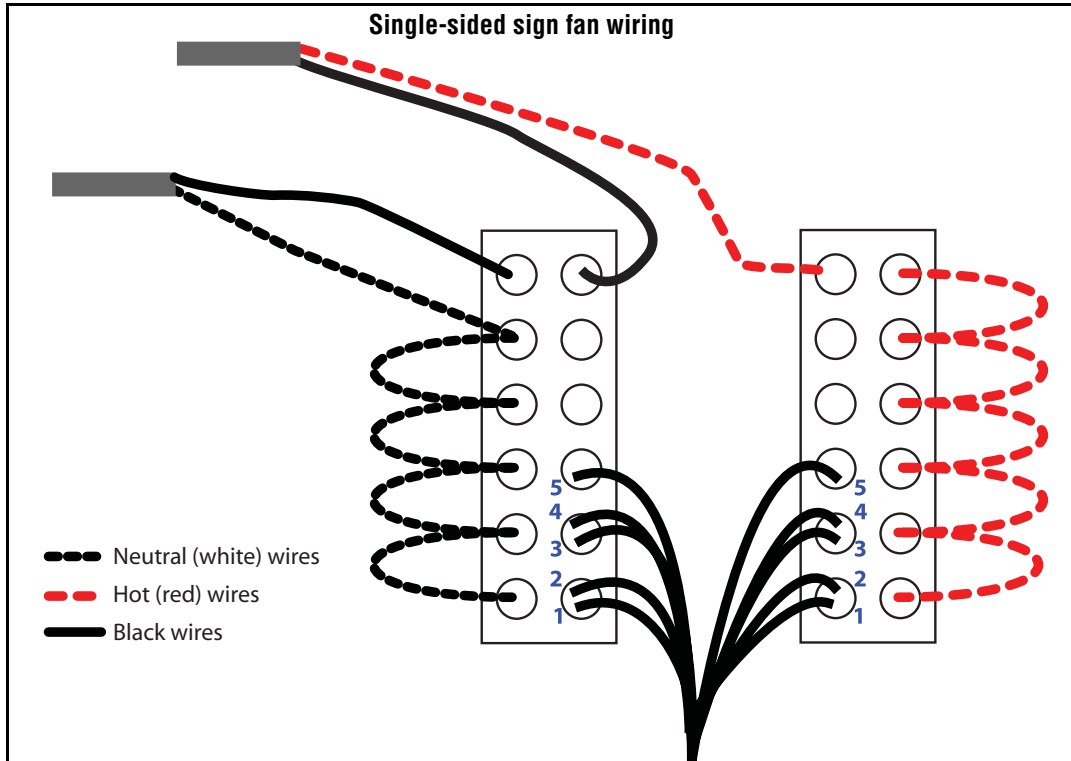


**Note:** You may need to use wire cutters to cut the twist-ties holding the INPUT and THERMOSTAT wires so you can extend them out. If you need to do this, make sure to twist-lock them back into place after wiring the terminal block.

# 8

## Wire the fan(s) to the terminal blocks:

- Connect one wire from each pair to corresponding number on each terminal block. For example, wire one wire from the first pair to the bottom most connection on the left terminal block and connect the second wire to the bottom most connection on the right terminal block.
- Secure fan cords to the bottom of the sign with the wire ties provided.



# 9

## Test fans for proper installation:

- Remove the thermostat wires.
- Connect the jumper wire to the thermostat connection on the left and right terminal blocks.
- Power on the sign and check to make sure air is blowing out of each exhaust vent.
- Power off the sign.
- Remove the jumper wire and replace the thermostat wires.
- Close the sign.

