

AlphaVision™ PC Series III 192x48 and 192x64 Signs

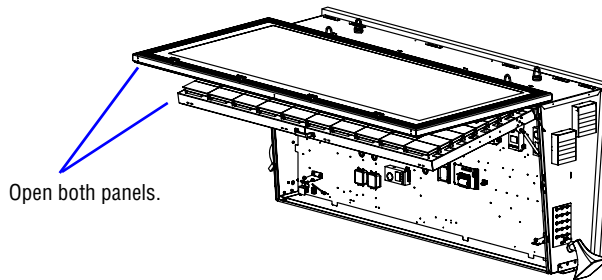
1 Open the side of the sign labeled "CONTROLLER SIDE".

WARNING! Hazardous voltage. Contact with high voltage may cause death or serious injury. Always disconnect power to unit prior to servicing. Possible fall or crush hazard. Remain clear of door when opening.

- A. Disconnect all power from the sign at the power source.
- B. Turn the controller-side panel latches counter-clockwise and carefully raise the panel of the sign.

ADAPTIVE
8 0 0 - 7 1 9 - 2 8 3 8
AVPC192048T3 - DS - WCE - X
SN: EN00001127
↓ CONTROLLER SIDE ↓

Open the panel identified as CONTROLLER SIDE on this label, attached to the bottom of the sign.



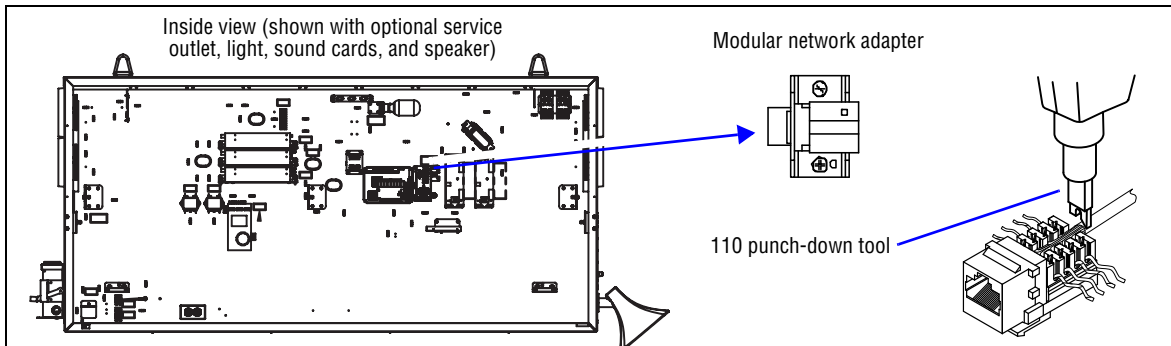
Support the weight of the panel.

Do not allow panel to swing open freely.

2 Connect the sign and messaging computer to an Ethernet network.

- A. Run Category 5 T568A or T568B wire from the network into the sign communications conduit. (Communications conduit is labeled Ethernet and is located on the side of the sign).
- B. Position the wires into the channels on the modular network adapter (see diagram) and use a 110 punch-down tool to push the wires into the channels.

NOTE: Do not separate the twisted pairs more than 0.5 inches from the termination point.



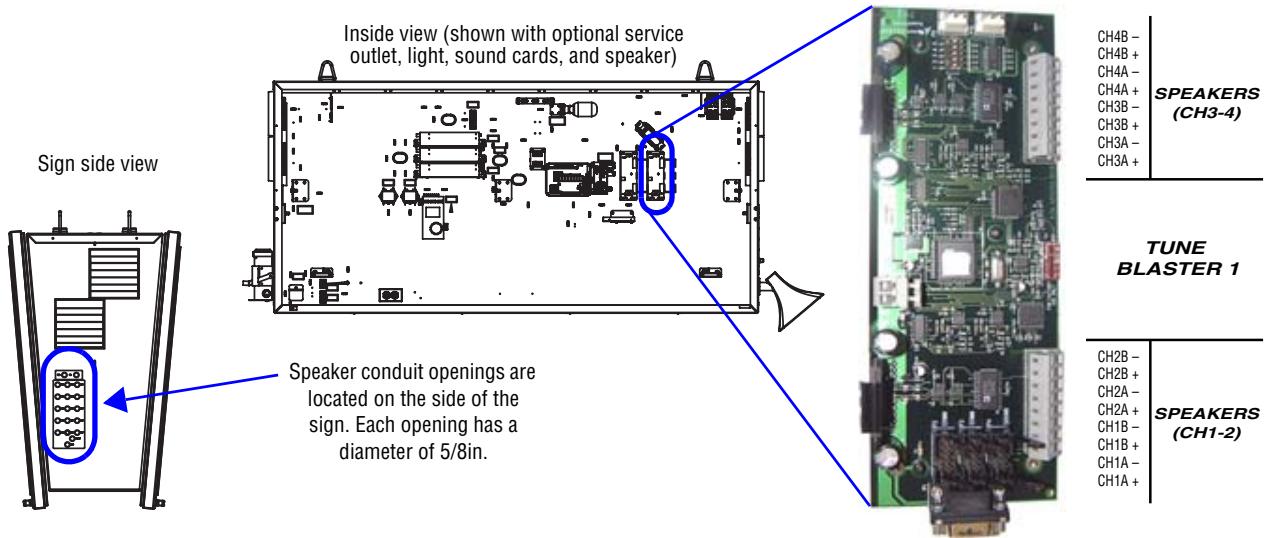
Category 5 T568A (8 wire)		Category 5 T568B (8 wire)		Position wires into channels on the modular network adapter as shown below.
110 type connector	RJ45 jack	110 type connector	RJ45 jack	
Wht/Blu	5	Wht/Blu	5	
Blu/Wht	4	Blu/Wht	4	
Wht/Org	3	Wht/Org	1	
Org/Wht	6	Org/Wht	2	
Wht/Grn	1	Wht/Grn	3	
Grn/Wht	2	Grn/Wht	6	
Wht/Brn	7	Wht/Brn	7	
Brn/Wht	8	Brn/Wht	8	

3

If applicable, connect the speakers to the Tune Blaster sound cards.

Each sign can support up to 2 speakers. Each speaker should be 8 ohms and at least 10 watts.

- For each speaker, insert one non-metallic, compression type connector into a speaker conduit.
- Run speaker wire (Belden 8471 or equivalent) from each speaker through the connector to the sound card inside the sign.
- Connect the wires to the sound card using a #1 screwdriver (1/16" wide tip) to depress the spring clip and insert the speaker wire.
- Repeat steps A, B, and C for an additional Tune Blaster sound card, if applicable.



4

Close the sign.

WARNING! Possible crush hazard. Remain clear of door when closing.

Carefully lower the panel and turn the latches on the panel clockwise to close panel.

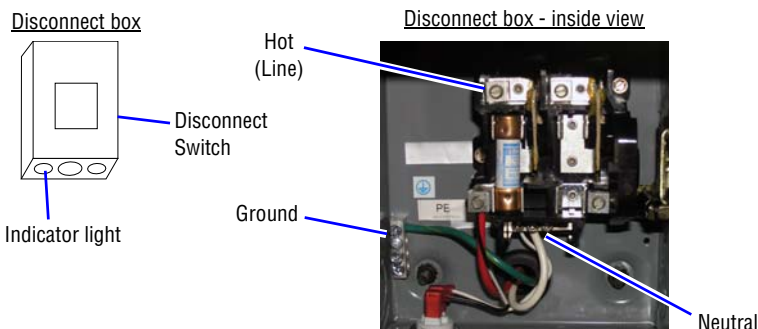
5

Connect power to the sign.

WARNING! Hazardous voltage. Contact with high voltage may cause death or serious injury. Always disconnect power to unit prior to servicing.

Make sure power is **not** applied at the power source and the sign is **not** connected to a ground fault interrupt (GFI) circuit. The sign must be properly earth-grounded according to local and national electrical codes.

- Run one single phase 120VAC/60Hz line into the power conduit on the side of the sign with the disconnect box.
- Open the disconnect box and connect the wires to the fuse terminals. (See diagram).
- Close the disconnect box. Apply 120VAC/60Hz power at the power source and move the disconnect switch to the ON position.
- Confirm that the neon green indicator light is lit, indicating that power is supplied to the sign.



MODELS		Voltage	Full Load Amps
192x48	Single-Sided	115V	5.5 amps*
	Double-Sided	115V	8.0 amps*
192x64	Single-Sided	115V	6.0 amps*
	Double-Sided	115V	9.5 amps*

* Add 10 amps for units containing optional AC outlet.