

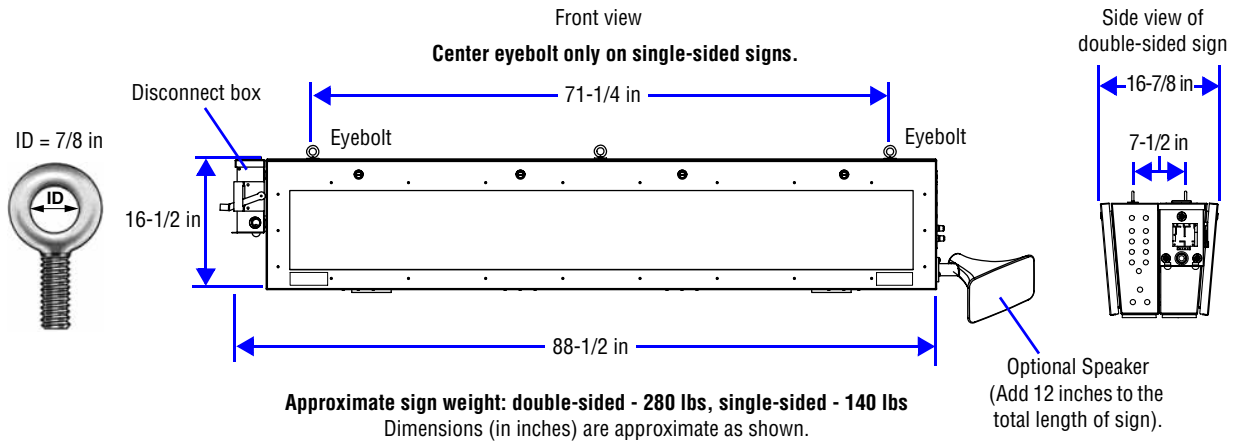
## AlphaVision™ PC Series III 256x32 Sign

### 1 Prepare sign location before installation.

**WARNING!** Hazardous voltage. Contact with high voltage may cause death or serious injury. Always disconnect power to unit prior to servicing. Do not connect sign to a power source before mounting installation is complete.

**NOTICE:** To avoid damage to the sign, do not place sign directly on ground or any flat surface.

#### Sign specifications



- Design of the support structure should only be done by a qualified individual. It is the installer's responsibility to ensure that the support structure and hardware are capable of safely supporting the sign, and are in compliance with all applicable building codes.
- Mounting hardware is not supplied with the sign. Make sure the mounting hardware that is used to hang or suspend a sign is capable of safely supporting four times the weight of the sign. (Approximately 1120 lbs for double-sided signs and 560 lbs for single-sided signs).

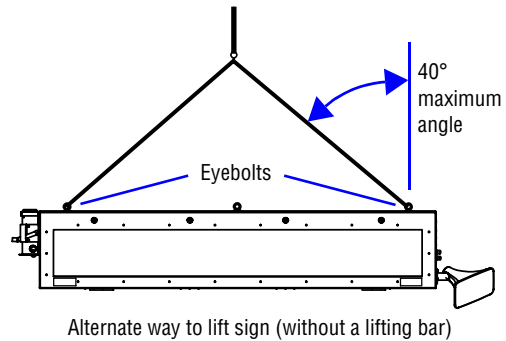
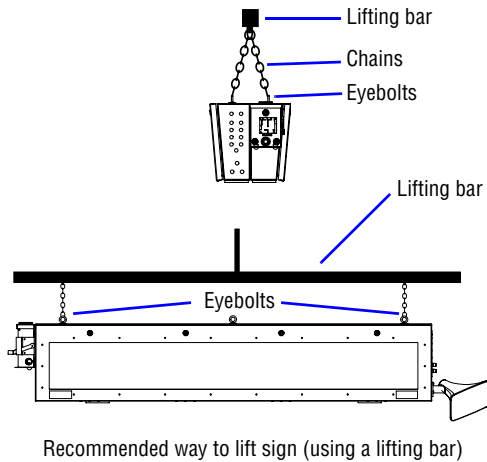
Minimum specifications for chain and shackles used to lift and hang a sign:
Material and finish depends on the specific application:
<ul style="list-style-type: none"> <li>• Stainless is required for corrosive environments.</li> <li>• Plain finish may be used for non-corrosive environments.</li> </ul>
Working load limit: Double-sided signs 1120 lbs. Single-sided signs 560 lbs

- **Adaptive is not responsible** for installations or the structural integrity of support structures done by others.
- Only use the sign's eyebolts to hang the sign, ensuring that each eyebolt uses a separate mounting point. Hanging from any other part of the sign will void the warranty.
- All eyebolts must be used to lift and hang the sign.
- Signs are for indoor use only. Exposure to direct sunlight, such as in a window, may affect the operation and visibility of the sign.
- Only use signs in an environment where the temperature is between 32° and 113°F (0° and 45°C).
- Only use signs in an environment where non-condensing humidity is at or below 95%.

## 2

### Lift the sign using the eyebolts.

**WARNING!** Possible crush hazard. Always use eyebolts to lift sign. Otherwise sign may fall, causing serious injury or death.



## 3

### Hang the sign from chains using all eyebolts.

**WARNING!** Possible crush hazard. Always use eyebolts to lift sign. Otherwise sign may fall, causing serious injury or death.

- Hang the sign from **four separate mounting points** for double-sided sign installation or **three separate mounting points** for single-sided sign installation. Do not hang two chains from the same point (for example over a beam).
- Allow minimum clearances as shown below.

