

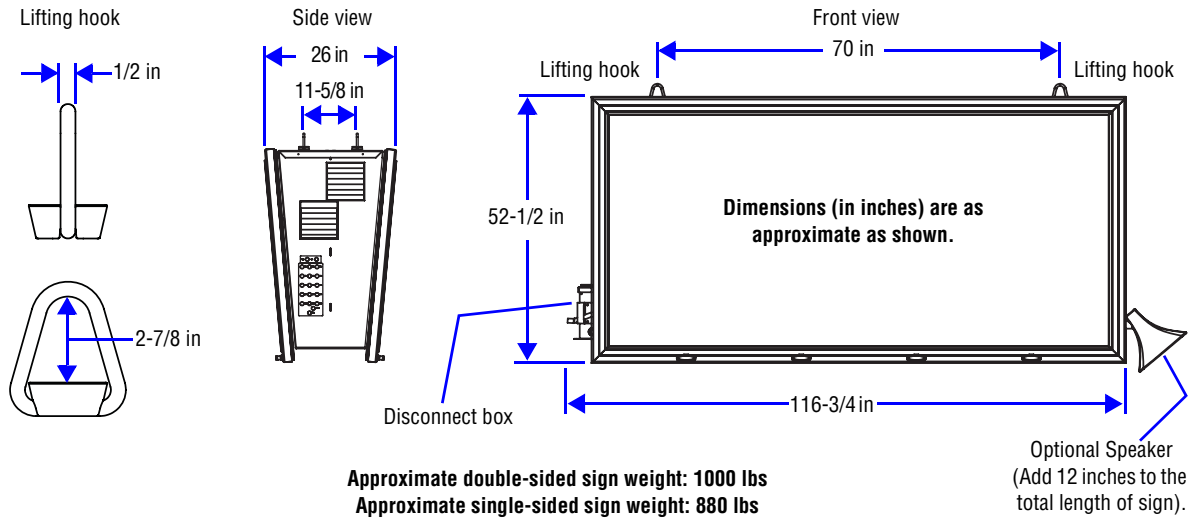
## AlphaVision™ PC Series III 320x112 and 320x128 Signs

### 1 Prepare sign location before installation.

**WARNING!** Hazardous voltage. Contact with high voltage may cause death or serious injury. Always disconnect power to unit prior to servicing. Do not connect sign to a power source before mounting installation is complete.

**Notice:** To avoid damage to the sign, do not place sign directly on ground or any flat surface.

#### Sign specifications



- Design of the support structure should only be done by a qualified individual. It is the installer's responsibility to ensure that the support structure and hardware are capable of safely supporting the sign, and are in compliance with all applicable building codes.
- Mounting hardware is not supplied with the sign. Mounting hardware that is used to hang or suspend a sign must be capable of safely supporting the weight of the sign.

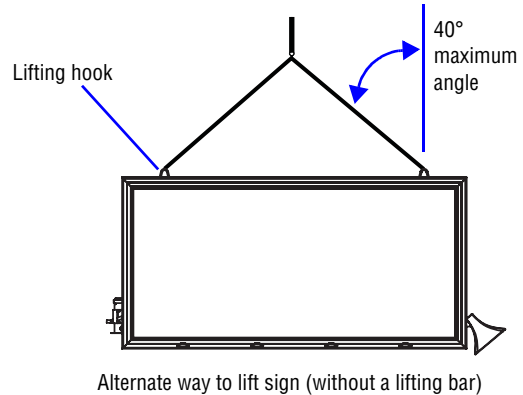
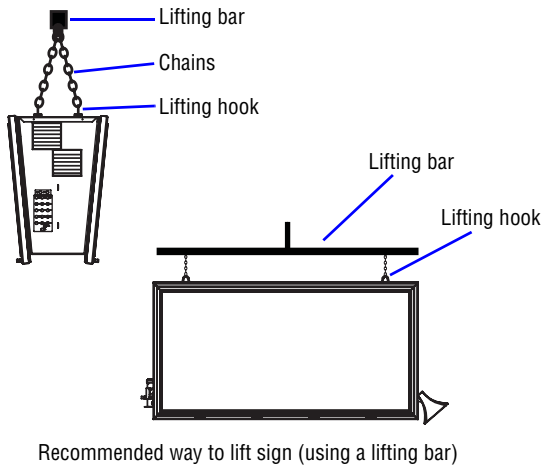
Minimum specifications for chain and shackles used to lift and hang a sign:
Material and finish depends on the specific application: <ul style="list-style-type: none"> <li>• Stainless is required for corrosive environments.</li> <li>• Plain finish may be used for non-corrosive environments.</li> </ul>
Working load limit: 2000 lbs.

- **Adaptive is not responsible** for installations or the structural integrity of support structures done by others.
- Only use the sign's lifting hooks to hang the sign, ensuring that each lifting hook uses a separate mounting point. Hanging from any other part of the sign will void the warranty.
- All lifting hooks must be used to lift and hang the sign.
- Signs are for indoor use only. Exposure to direct sunlight, such as in a window, may affect the operation and visibility of the sign.
- Only use signs in an environment where the temperature is between 32° and 113°F (0° and 45°C).
- Only use signs in an environment where non-condensing humidity is at or below 95%

## 2

### Lift the sign using all the lifting hooks.

**WARNING!** Possible crush hazard. Always use all lifting hooks to lift sign. Otherwise sign may fall, causing serious injury or death.



## 3

### Hang sign using all lifting hooks.

**WARNING!** Possible crush hazard. Always use all lifting hooks to hang sign. Otherwise sign may fall, causing serious injury or death.

- Hang sign from **four separate mounting points**. Do not hang two chains from the same point (for example over a beam).
- Allow minimum clearances as shown below.

