

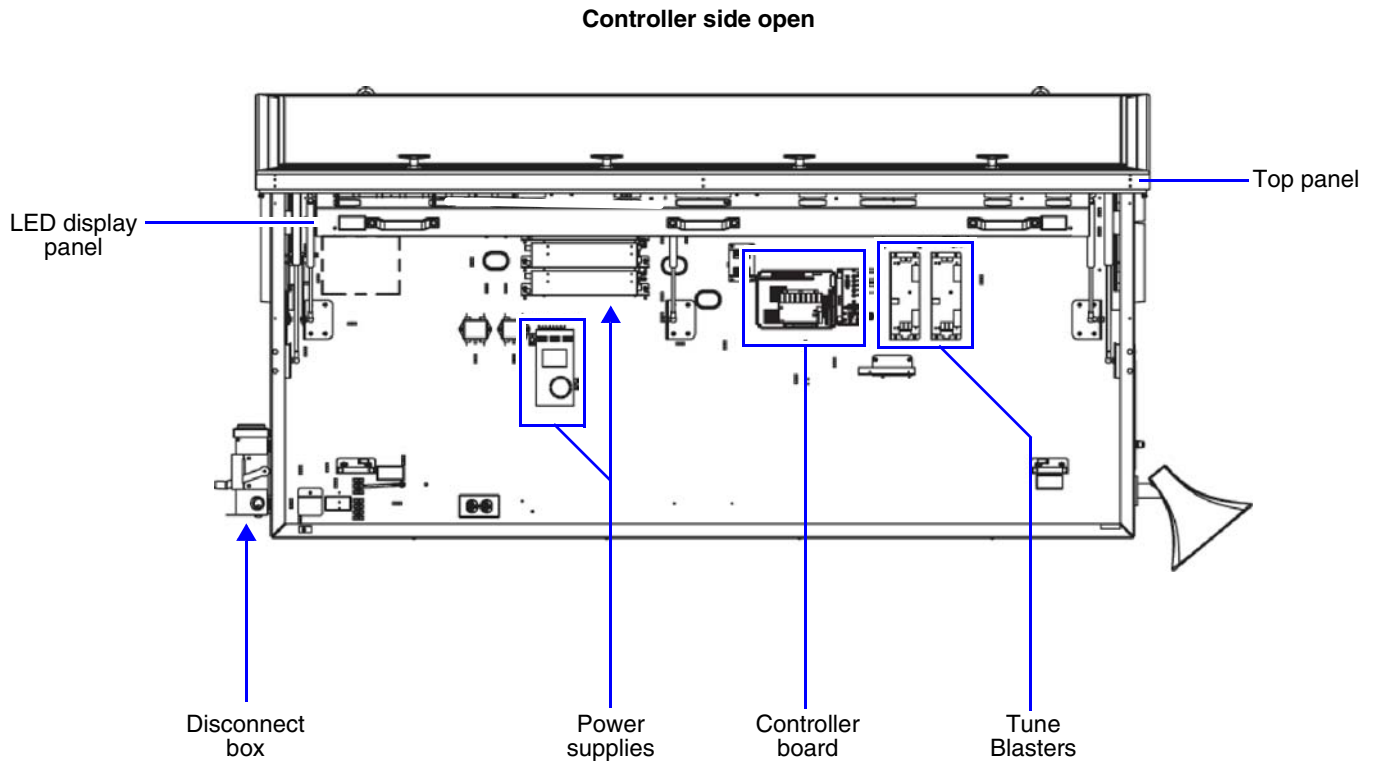
## AlphaVision™ PC Series III Tune Blaster Sound Card (pn 11279052LF)

### Overview

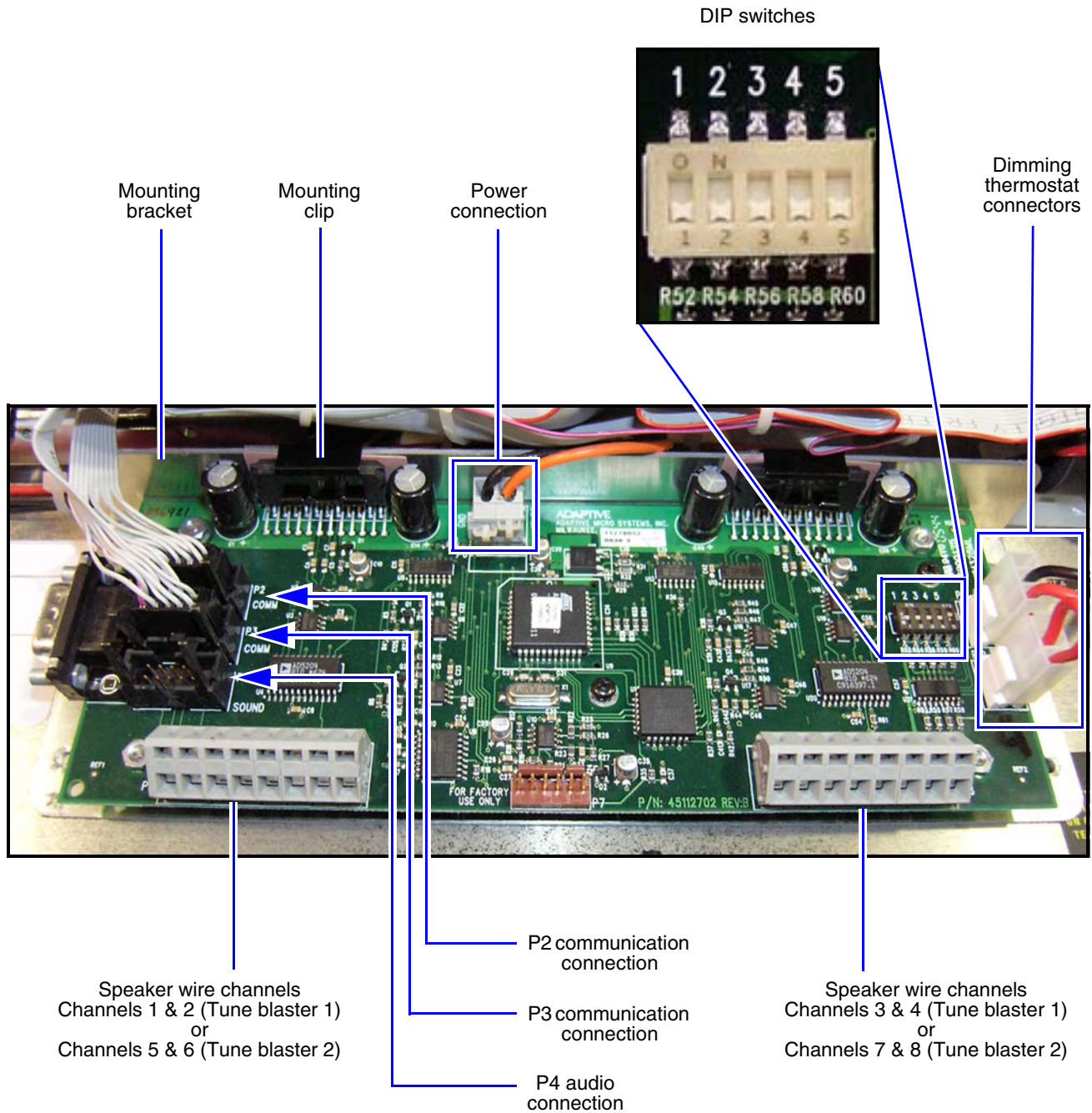
AlphaVision PC Series signs are capable of operating optional Tune Blaster sound cards for additional communication features. One sound card translates audio signals from the controller board up to 8 speakers. Most signs are designed to hold up to two sound cards. Each sound card has up to 4 channels and each channel controls 1 to 2 speakers.

This document explains how to replace the Tune Blaster sound card(s) on AVPC PC Series III signs. This kit applies to model numbers that begin with AVPC320XXXT3, AVPC256XXXT3, and AVPC192XXXT3 (XXX denotes pixel height ranging from 016-128).

**NOTE:** Sound cards appear on the “Controller Side” of the sign. The location and orientation of the sound card varies based on the model number of the sign (sign shown with two sound cards installed).



## Tune Blaster components



## Tools Required

- #1 Flathead screwdriver (1/16" wide tip)
- #2 Phillips head screwdriver
- \* Speaker wire (Belden 8471 or equivalent)
- \* Speaker (speaker specification requirements: 8 ohms and at least 10 watts)

\* Required if replacing the wiring or speakers (not supplied).

# Replacing AlphaVision PC series III sound card

**WARNING!** Hazardous voltage. Contact with high voltage may cause death or serious injury. Always disconnect power to unit prior to servicing.

**1** Disconnect all power to the sign at the power source.

**2** Open both panels on the “Controller side” of the sign.

**WARNING!** Possible fall or crush hazard. Remain clear of panel when opening.

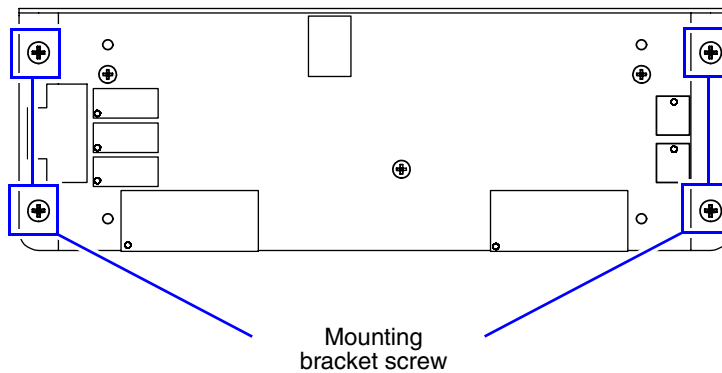
- A. Turn the top panel latches counter-clockwise and carefully open panel. Guide the panel until the support latch engages. **Do not** allow panel to swing open freely.
- B. Carefully open the LED display panel. Guide the panel until the support latch engages. **Do not** allow panel to swing open freely.

**3** Disconnect cables from defective Tune blaster.

Cables are labeled at the factory with the port designations on the Tune blaster. If cables are not labeled, label them with the port number it attaches to on the Tune blaster (see diagram in step 6).

**4** Remove the defective Tune blaster from the sign.

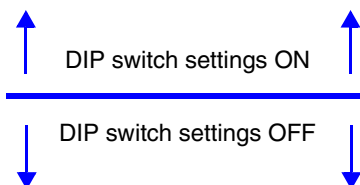
- A. Remove and retain the four mounting bracket screws.
- B. Set the DIP switch settings on the replacement sound card to match the defective sound card settings (standard settings shown in the following diagram).
- C. Dispose of the defective sound card and mounting bracket.



Tune Blaster 1  
DIP switch settings:  
All switches OFF



Tune Blaster 2  
DIP switch settings:  
Only switch 1 is ON



**5**

**Attach the new Tune blaster to the sign.**

Align the replacement Tune blaster to the sign in the same position as the defective unit. Secure the tune blaster to the sign with the previously removed screws.

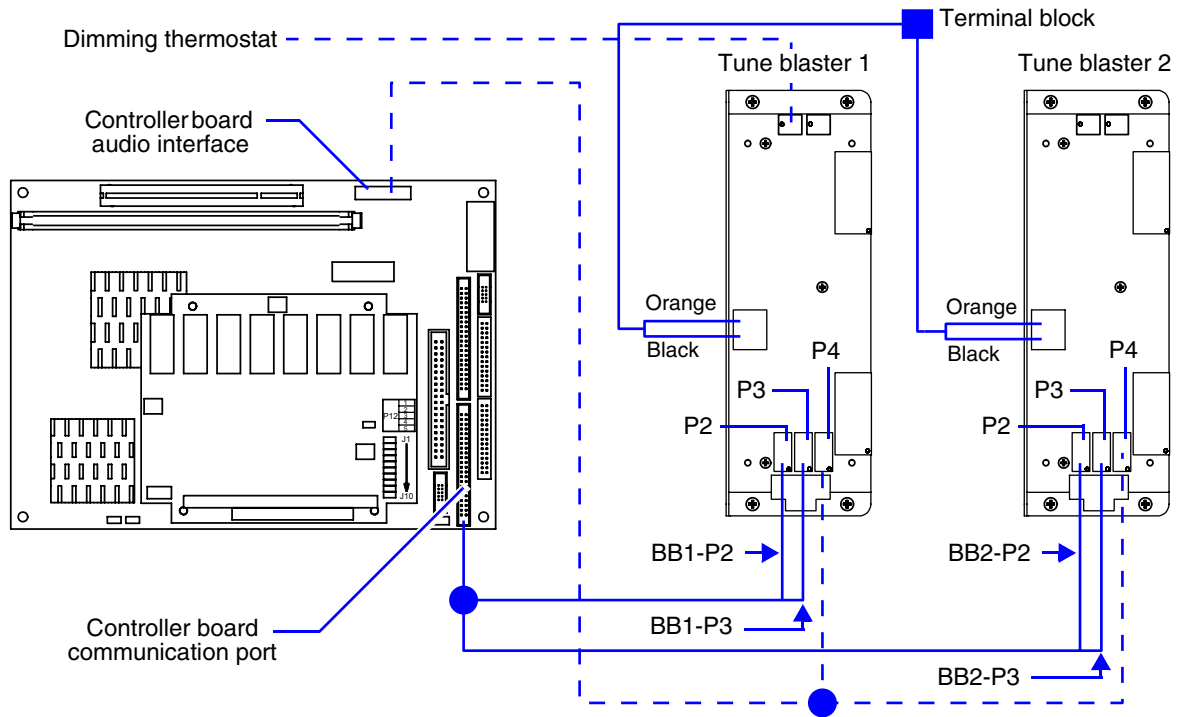
**6**

**Connect and verify cable connections are seated tightly to the new Tune blaster.**

Ribbon cable connections are keyed and only fit one way in the Tune blaster ports. The cable is labeled with the port number it attaches to on the Tune blaster (see diagram).

Ensure the orange and black power cables are attached to the Tune blaster in the correct orientation shown in the following diagram.

Follow the Tune Blaster channel label for connecting the speaker wires.



**7**

**Close both panels on sign.**

- A. Disengage the support latch and carefully close the LED display panel. Guide the panel until it is fully closed. **Do not** allow panel to slam shut.
- B. Disengage the support latch and carefully close the top panel. Turn the top panel latches clockwise to secure panel to sign.

**8**

**Apply power to the sign at the power source.**

**9**

**Test and verify sign operation.**

- At the computer, click **AVPC Settings** in the system tray, or select **Start > All Programs > Adaptive Micro Systems > AVPC Settings**.
- Click **Tune Blaster** and select **COM1** to run one of the following tests on the 1st sound card.
  - Click the **Play Tune** or **Query Tune Blaster** button to prompt the sound card.
- To test the 2nd sound card, click **Tune Blaster** and select **COM2**. Repeat the same testing procedure.
- If the test fails; disconnect the power, open sign panels, and verify all cable connections are seated tightly. Close sign panels, apply power to the sign, and repeat test procedure.