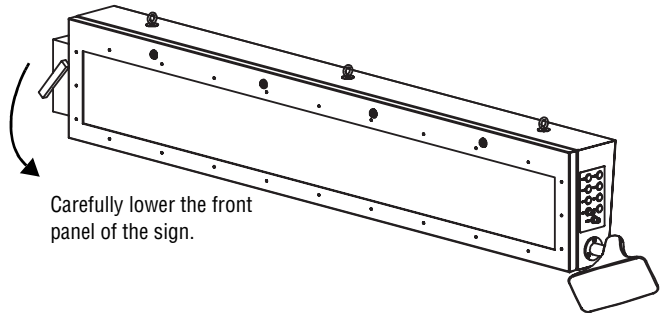
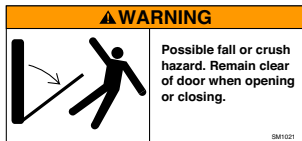


# 1 Open the sign.

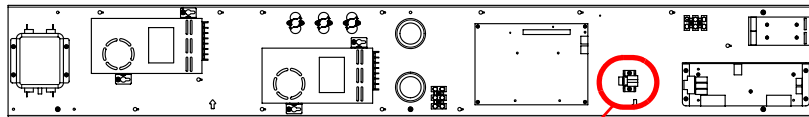
- Disconnect all power from the sign at the power source to prevent electrical injury or damage.
- Turn the latches on the panel counter-clockwise. Carefully lower the front panel of the sign.



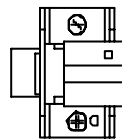
# 2 Connect the sign to the computer on an Ethernet network.

- Run Category 5 T568A or T568B wire from the network into the sign communications conduit.
- Position the wires into the channels on the modular network adapter (see below).
- Use a 110 punch-down tool to push the wires into the channels.
- Do not separate the twisted pairs more than 0.5 inches from the termination point.

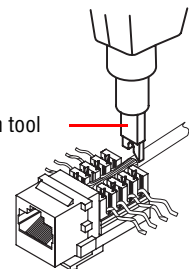
Inside the sign:



Modular network adapter



110 punch-down tool



Category 5 T568A (8 wire)		Category 5 T568B (8 wire)		Position the wires into the channels on the modular jack as shown below.
110 type connector	RJ45 jack	110 type connector	RJ45 jack	
Wht/Blu	5	Wht/Blu	5	
Blu/Wht	4	Blu/Wht	4	
Wht/Org	3	Wht/Org	1	
Org/Wht	6	Org/Wht	2	
Wht/Grn	1	Wht/Grn	3	
Grn/Wht	2	Grn/Wht	6	
Wht/Brn	7	Wht/Brn	7	
Brn/Wht	8	Brn/Wht	8	

© Copyright 2005 Adaptive Micro Systems LLC. All rights reserved.

Adaptive Micro Systems • 7840 North 86th Street • Milwaukee, WI 53224 USA • 414-357-2020 • 414-357-2029 (fax) • <http://www.adaptivedisplays.com>

Trademarked names appear throughout this document. Rather than list the names and entities that own the trademarks or insert a trademark symbol with each mention of the trademarked name, the publisher states that it is using names for editorial purposes and to the benefit of the trademark owner with no intention of improperly using the trademark.

The following are trademarks of Adaptive Micro Systems: Adaptive, Alpha, AlphaLert, AlphaNET, AlphaNet plus, AlphaEclipse, AlphaPremiere, AlphaTicker, AlphaVision, AlphaVision InfoTracker, Automode, BetaBrite, BetaBrite Director, BetaBrite Messaging Software, Big Dot, Director, EZ KEY II, EZ95, PagerNET, PPD, PrintPak, Serial Clock, Smart Alec, Solar, TimeNet

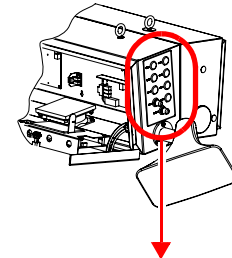
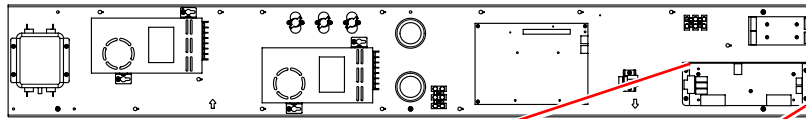
The distinctive trade dress of this product is a trademark claimed by Adaptive Micro Systems LLC.  
Due to continuing product innovation, specifications in this manual are subject to change without notice.

# 3

## If applicable, connect the speakers to the Tune Blaster sound cards.

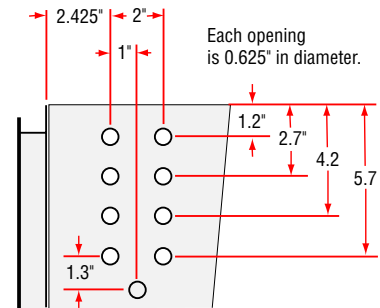
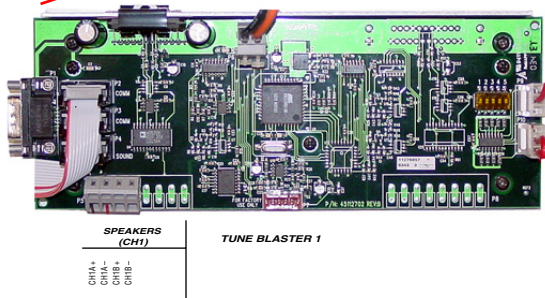
- A sign may have up to 2 speakers. Each speaker should be 8 ohms and at least 10 watts.
- For each speaker, insert a non-metallic, compression type connector into a speaker conduit.
- Run speaker wire (Belden 8471 or equivalent) from each speaker through the connector to the sound card inside the sign.
- Connect the wires to the sound card using a #1 screwdriver (1/16" wide tip) to depress the spring clip and insert the speaker wire.

Inside the sign:



Speaker conduits on the side of the sign

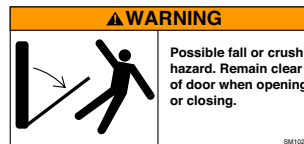
Each sign can support up to 2 speakers.



# 4

## Close the sign.

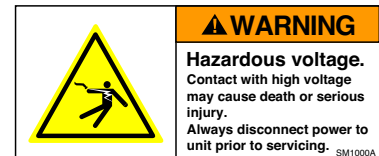
- Carefully lift the panel.
- Turn the latches on the panel clockwise.



# 5

## Connect power to the sign.

- Make sure that power is *not* applied at the power source.
- Open the disconnect box.
- Run 120VAC into the power conduit on the disconnect box mounted on the side of the sign.
- Connect the wires as shown below. The sign must be properly earth grounded.
- Close the disconnect box. Apply 120VAC power at the power source. Then move the switch on the disconnect up, or to the ON position.
- This sign should *not* be connected to a ground fault interrupt (GFI) circuit.
- Confirm that the green indicator light is lit, indicating that power is supplied to the sign.



Side view



On/off switch

Green indicator light (on bottom of disconnect box)