
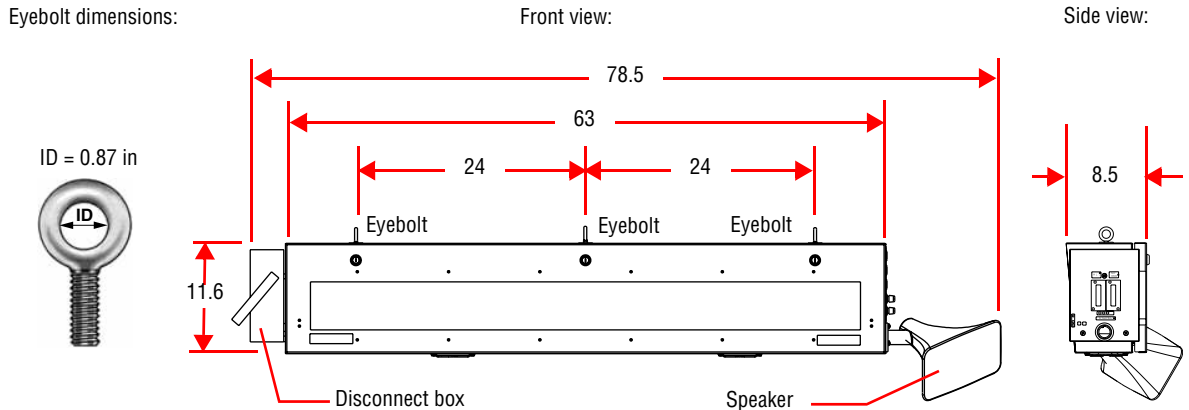


1 Disconnect all power from the sign at the power source to prevent electrical injury or damage.



⚠ WARNING
Hazardous voltage. Contact with high voltage may cause death or serious injury. Always disconnect power to unit prior to servicing. <small>SM1000A</small>

Sign specifications




Approximate sign weight: 80 lbs.

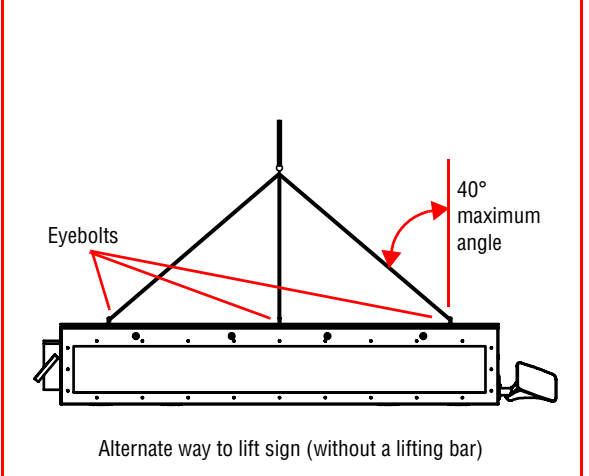
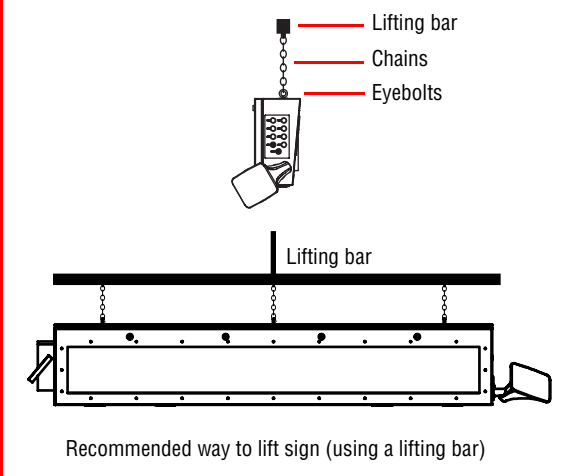
Dimensions (in inches) are approximate as shown.

- Design of the support structure should only be done by a qualified individual. It is the installer's responsibility to ensure that the support structure and hardware are capable of safely supporting the sign and are in compliance with all applicable building codes.
- *Adaptive is not responsible for installations or the structural integrity of support structures done by others.*
- Mounting hardware is not supplied with the sign. Mounting hardware that is used to hang or suspend a sign must be capable of safely supporting the weight of the sign (approximately 80 lbs.).
- Only use the sign's eyebolts to hang the sign. Mounting to any other parts of the sign will void the warranty.
- All three eyebolts must be used to lift and hang the sign.
- These signs are for indoor use only and should not be continuously exposed to direct sunlight, such as in a window.
- These signs should only be used in an environment where the temperature is between 32° and 113° F (0° and 45° C).
- These signs should only be used in an environment where non-condensing humidity does not exceed 95%.

Minimum specifications for chain and shackles used to lift and hang a sign:
Material and finish: selection depends on the specific application. (Plain finish may be used for non-corrosive environments. However, stainless is required for corrosive environments.)
Working load limit: 2200 lbs.


2 Lift the sign using the eyebolts.

▲ WARNING	
	<p>Possible crush hazard. Always use eyebolts to lift sign. Otherwise the sign may fall, causing serious injury or death.</p>
SM1017	



3 Hang the sign from chains using all the eyebolts.

- Hang the sign from three separate mounting points. Do not hang two chains from the same point.
- Allow minimum clearances as shown below.

▲ WARNING	
	<p>Possible crush hazard. Always use eyebolts to lift sign. Otherwise the sign may fall, causing serious injury or death.</p>
SM1017	

