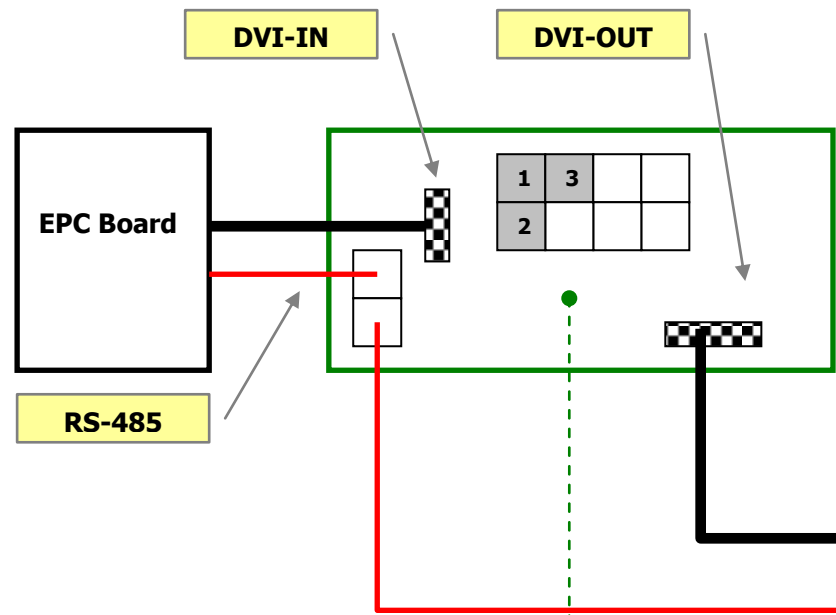
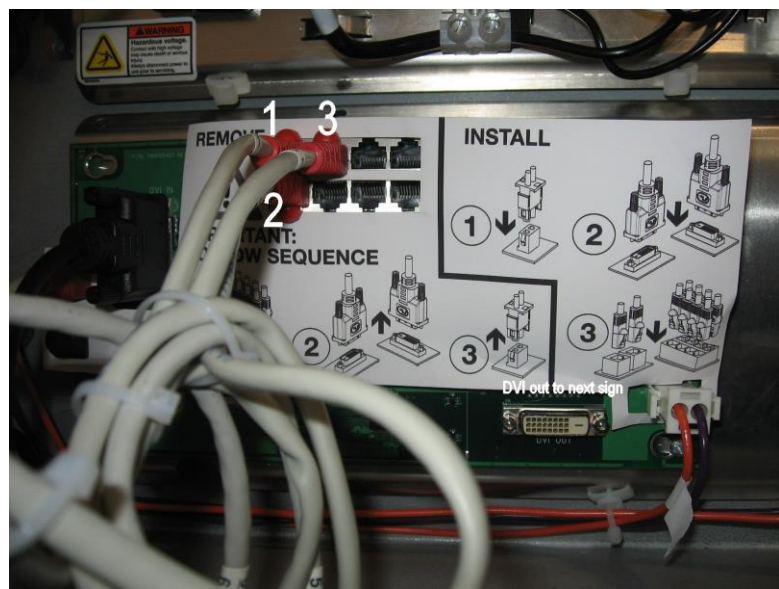


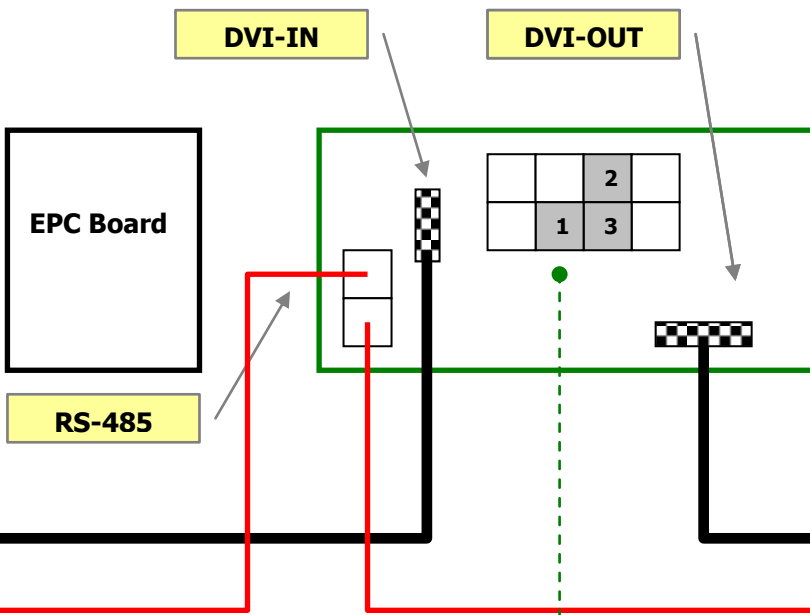
SIGN #1



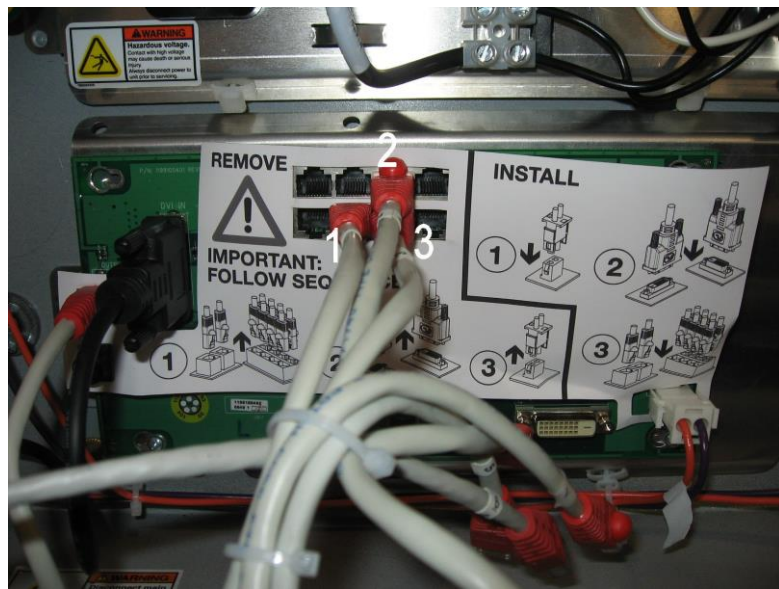
DIP Switches:
1 --> ON
2-8 --> OFF



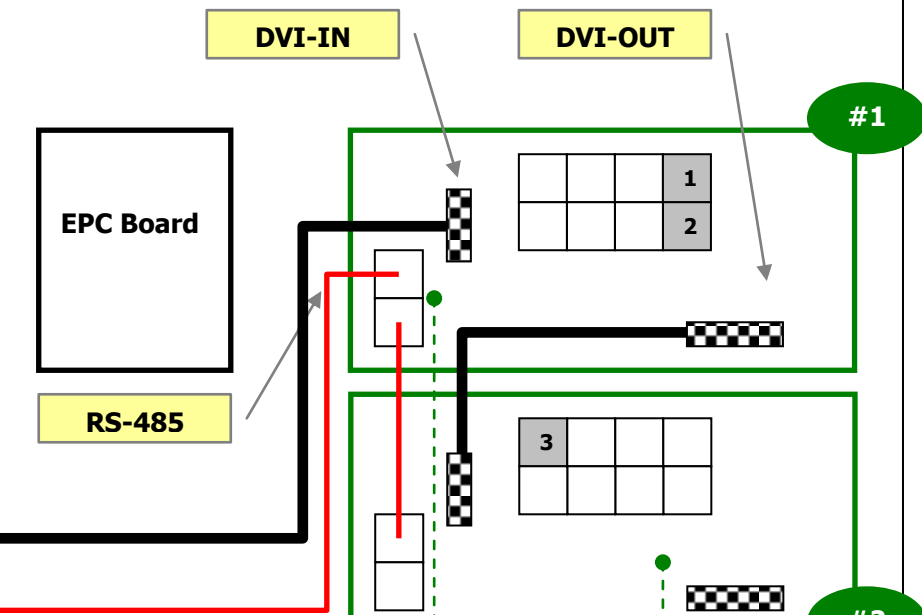
SIGN #2



DIP Switches:
1 --> ON
2-4 --> OFF
5 --> ON
6-8 --> OFF

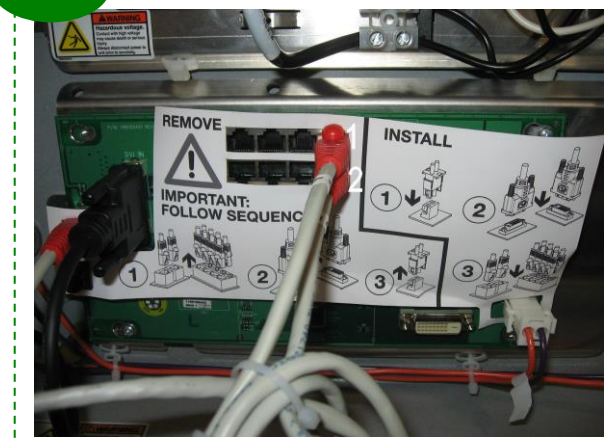


SIGN #3



#1

DIP Switches:
1 --> ON
2-5 --> OFF
6 --> ON
7-8 --> OFF



#2

DIP Switches:
1 --> OFF
2 --> ON
3-5 --> OFF
6 --> ON
7-8 --> OFF

