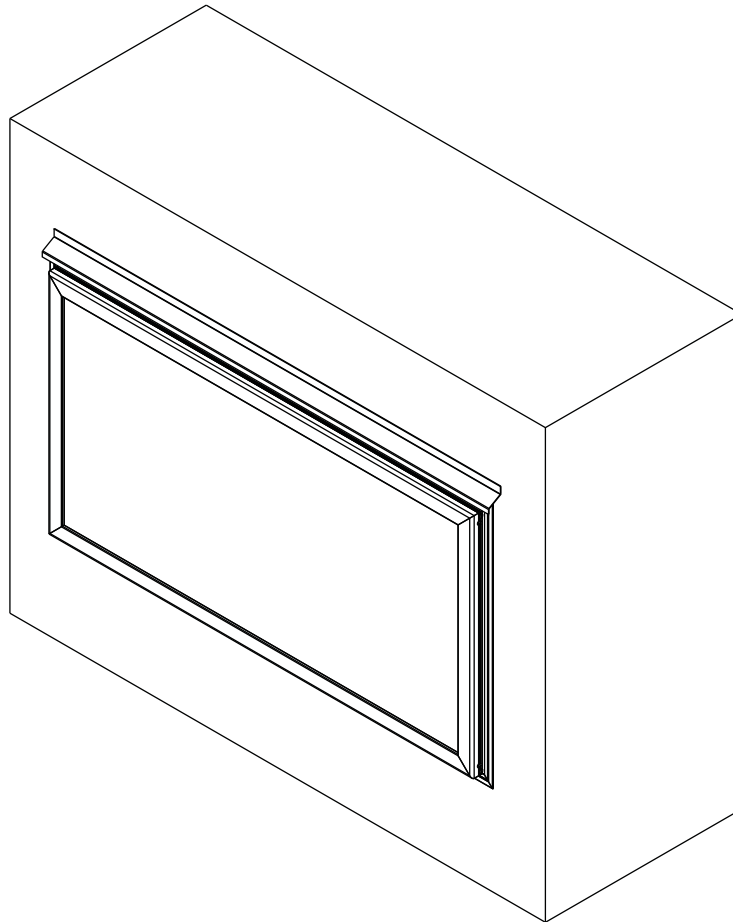


Lexan Window Frame for StreetSmart 17X (pn 1179202101—1179202120)

About the Lexan Window Frame

The Lexan Window Frame is made of polycarbonate resin designed to protect the LEDs on signs from damage and can be used with StreetSmart 17X models.



The Lexan Window Frame can be purchased directly from Adaptive or from your local Adaptive dealer.

The Lexan Window Frame can be mounted one of two ways:

- **Monument Mount** - The frame is mounted directly to the monument facade, not the sign. (Facade anchors are not supplied.)
- **Bracket Mount** - The frame mounts to the sign using brackets supplied in the kit. The bracket mount is primarily designed for wall mounted SS17X installations, but may also be used for pole mounted signs. (Bolts are supplied.)

Before you begin

Safety

Disconnect all power from the sign at the power source to prevent electrical injury or damage.

WARNING! Hazardous voltage. Contact with high voltage may cause death or serious injury. Always disconnect power to unit prior to servicing.

Equipment

You will need the following equipment to perform this installation:

- Minimum two people
- Drill
- #2 drill bit
- Screwdriver
- T25 TORX driver (Once the Lexan is installed, you will need this tool to service the sign.)

Kit Contents

Part #	Quantity Bracket Mount	Quantity Monument Mount	Description
Based on sign size	1	1	Lexan Window Frame Assembly
1179006001	6	n/a	Bracket, wall mount
61230702	12	n/a	Bolt, hex, 3/8-16 x 1, stainless steel, black
618200010	12	n/a	Washer, flat, 3/8, stainless steel, black
618200012	12	n/a	Lockwasher, 3/8, stainless steel, black
616200005	12	n/a	Nut, hex, 3/8-18, stainless steel, black
612300065	6	n/a	Screw, 10-32 x 1-3/4, PPH, stainless steel, black
618200039	6	n/a	Washer, #10, stainless steel, black
618200029	6	n/a	Washer, #10 x 1, fender, stainless steel
616200016	6	n/a	Nut, 10-32, hex, KEPS, stainless steel, black

NOTE: Substrate materials vary for different monuments. For this reason Adaptive does not include mounting hardware in the Monument Mount kit. Mounting hardware is to be supplied by the installer and must be compatible with monument mounting material.

Installation instructions for monument mounted signs

Before starting this installation, the sign should be installed on the monument with sign-to-monument clearances maintained as shown in the figure below.

It is recommended to install a drip edge centered over the top edge of the Lexan frame.

Make sure there is a gap between the frame and the drip edge for air flow.

You can obtain materials for the drip edge from a local supplier.

Spacer (provided on window frame).

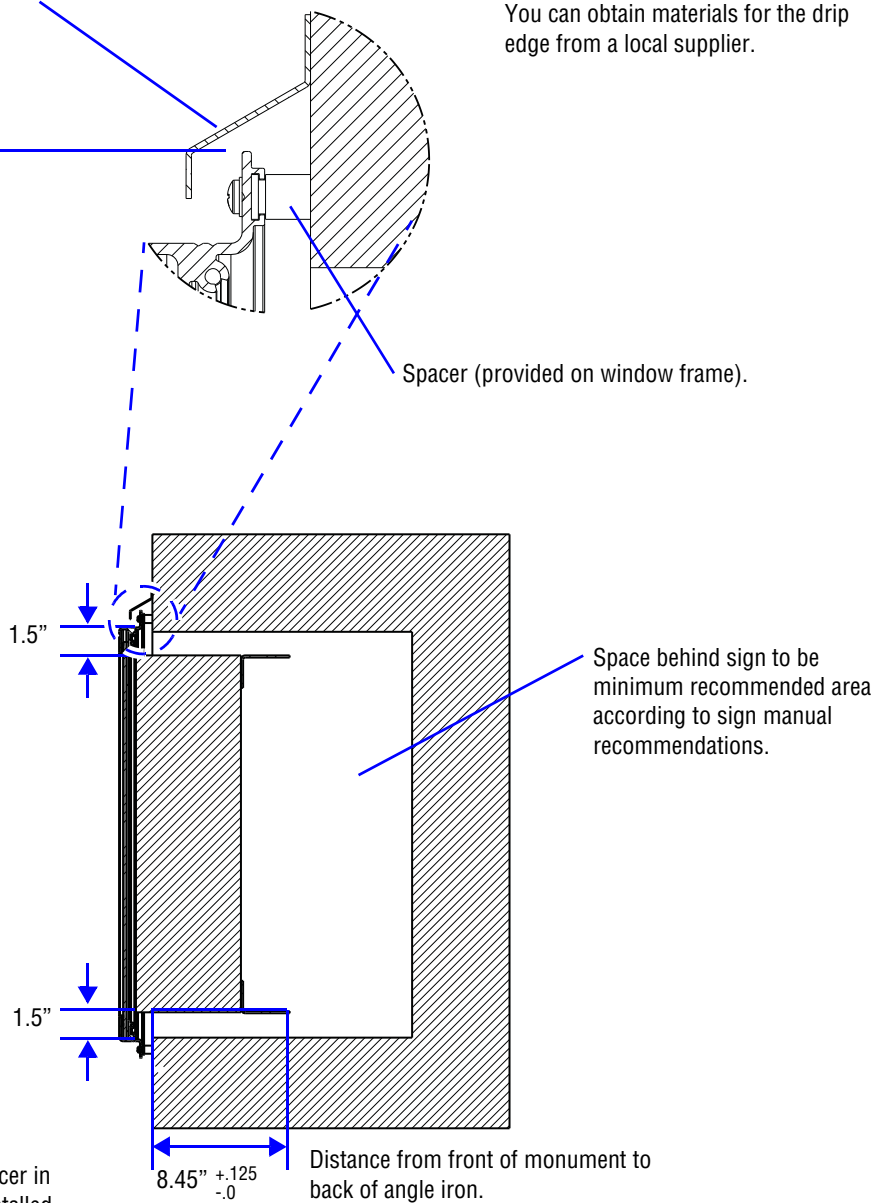
Clearance between all sides of sign and monument.

Space behind sign to be minimum recommended area according to sign manual recommendations.

1/2-inch with spacer in window frame installed.

8.45" $\begin{matrix} +.125 \\ -.0 \end{matrix}$

Distance from front of monument to back of angle iron.



WARNING! Hazardous voltage. Contact with high voltage may cause death or serious injury. Always disconnect power to unit prior to servicing.

1 Disconnect all power to the sign at the power source.

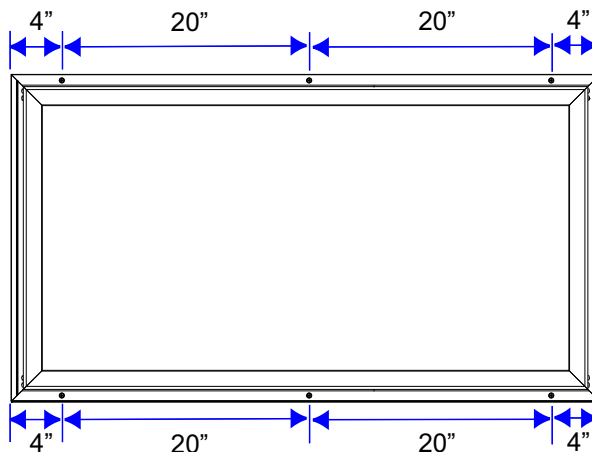
2 Center the frame:

Center the frame assembly on the monument, both horizontally and vertically.

3 Drill holes:

- The number of spacers in the top and bottom frame member will vary with the size of the sign. The end spacers should be located approximately 4 inches from the edge of the frame. The remaining spacers should be located approximately 20 inches apart as shown below.
- Mark the hole locations on the frame assembly and the monument as indicated in the figure below. Drill corresponding holes to match the number of spacers.

NOTE: Spacers are located within the Lexan frame assembly. Do not drill through the spacers. Slide them out of the way when drilling holes in the frame.



4 Install the Lexan frame assembly:

- Align the spacers, located within the frame assembly, with the mounting holes previously drilled in the frame.
- With a minimum of two people, position the Lexan frame assembly on the monument. Secure to the monument with the stainless steel #10-32 x 1-1/2" screws and #10 stainless steel washers (not provided).

NOTE: #10-32 screws must be a minimum of 1-1/2" long in order to maintain the proper distance between the Lexan frame from the monument face.

- Make sure screws are positioned through the spacers within the frame to provide proper spacing of the frame from monument face.
- Tighten screws to 25-30 in. lbs.

5 Turn on power to the sign.

Installation instructions for bracket mounted signs

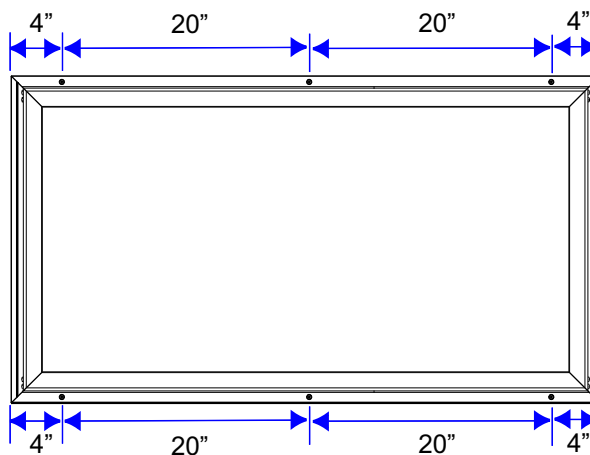
WARNING! Hazardous voltage. Contact with high voltage may cause death or serious injury. Always disconnect power to unit prior to servicing.

1 Disconnect all power to the sign at the power source.

2 Drill holes:

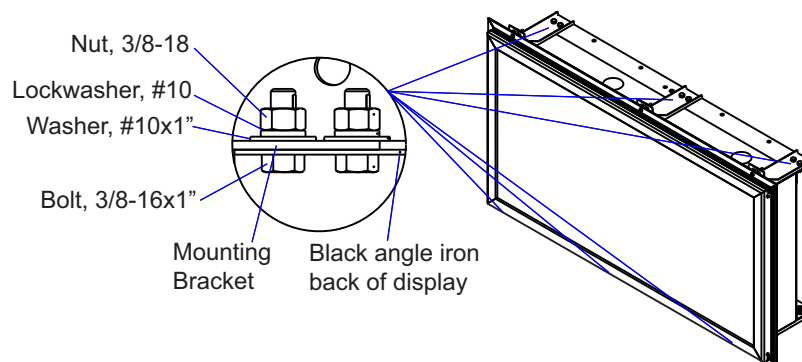
- The number of spacers in the top and bottom frame member will vary with the size of the sign. The end spacers should be located approximately 4 inches from the edge of the frame. The remaining spacers should be located approximately 20 inches apart as shown below.
- Mark the hole locations on the frame assembly as indicated in the figure below. Drill corresponding holes to match the number of spacers.

NOTE: Spacers are located within the lexan frame assembly. Do not drill through the spacers. Slide them out of the way when drilling holes in the frame.



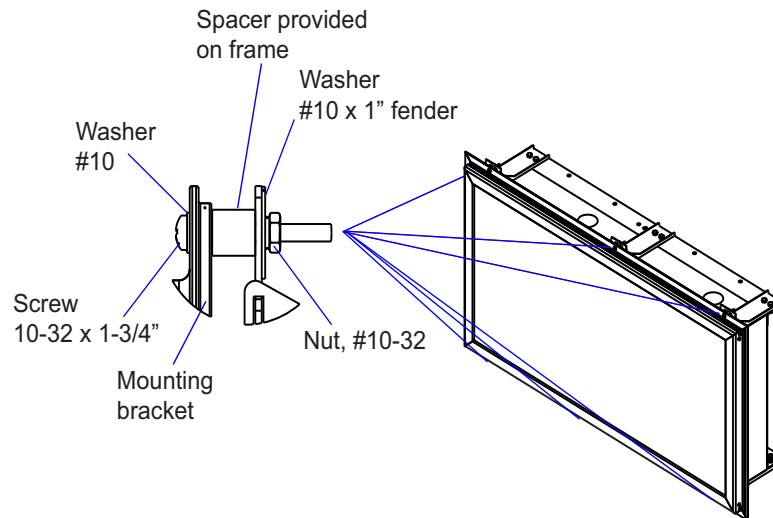
3 Install brackets on sign:

- Install half the brackets to the top of the sign and the other half to the bottom of the sign. Make sure brackets are evenly spaced and secure using the 3/8-16 x 1" bolts, 3/8 washers, 3/8 lock washers, and 3/8-16 hex nuts supplied in the kit.
- Tighten hardware to 25-30 in. lbs.



4 Install the Lexan frame assembly:

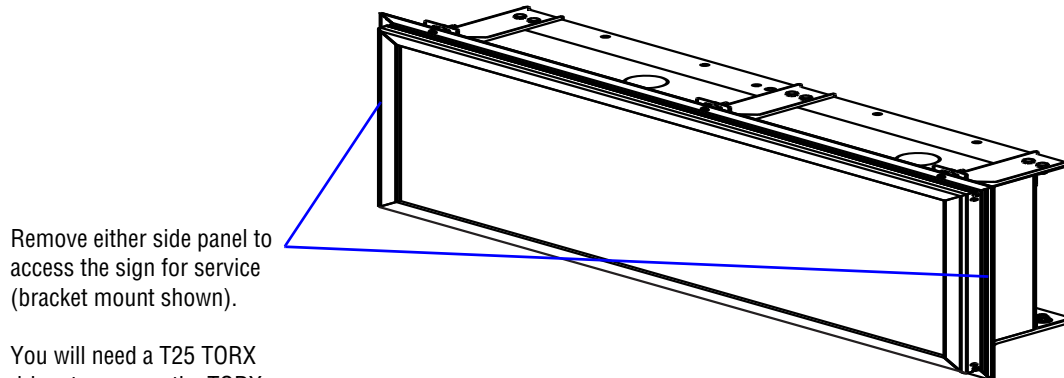
- Align the spacers, located within the frame assembly, with the mounting holes previously drilled in the frame.
- With a minimum of two people, position the Lexan frame assembly on the sign, aligning the holes drilled in frame with the brackets.
- Secure with the stainless steel #10-32 x 1-3/4" screws, #10 washers, #10 x 1 washers, #10 lock washers and #10-32 nuts provided in the kit.
- Make sure screws are positioned through the spacers within the frame to provide proper spacing of the frame from monument face.
- Tighten screws to 25-30 in. lbs.



5 Turn on power to the sign.

Servicing signs with Lexan Window Frames installed

The sign may be serviced by removing one of the side panels as shown in the figure below.



You will need a T25 TORX driver to remove the TORX screws holding the panel.