

AlphaEclipse™ PureColor™ 3600 Series Outdoor LED Display

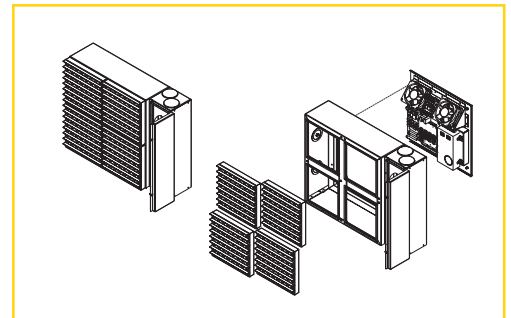


AlphaEclipse™ PureColor™ Series

The AlphaEclipse PureColor™ 3600 series is our top-of-the-line family of outdoor LED message centers. This unique, state-of-the-art design produces a dynamic advertising message center that is highly energy efficient, easy to operate, install and service.

Advertise your products and services at a moments notice to dramatically increase your company's sales and profits, like no other advertising medium can. Become a recognized landmark in your local community. Superior PureColor™ LED design provides you with a product that is bright, and has better angle visibility to impact your drive-by audience with dazzling, professional advertising messages that cannot be ignored.

- *Versatile* – Instantly change your advertising messages from the convenience of your PC.
- *Dynamic* – Brilliant, dazzling messages and graphics command the attention of your audiences.
- *Profitable* – Creates new sales and profits as no other advertising medium can.
- *Economical* – Eliminate wasted advertising dollars that do not reach your target market.
- *Powerful and Efficient* – **EnergySmart** technology is affordable, reliable and energy efficient. It is the most effective on-premise outdoor advertising available today.



- All weather fully modular design
- Exclusive wire way access panel for ease of installation and servicing

Standard Features

- AlphaNet™ software included with exclusive user tutorial CBT (computer based training) program
- Calendar scheduling of your messages
- Display graphics/animations
- Import/display BMP or GIF files
- Over 100 sizes from 2' x 4' to 15' x 30' to meet your needs
- Mono-color red or amber, or RGB
- 24 Bit design capable of processing 16.7 million colors
- Operation modes to meet local ordinances
- Two-year limited factory depot warranty
- Proprietary exposed LED design eliminates front lens
- Parallel communication processing prevents multiple module failure
- 100,000 hour Agilent/HP LED's
- All-weather, superior silicone potting protection
- Proprietary modular design for easy front/rear servicing

AlphaEclipse™ 3600 Series Specifications

Rows	Columns	*Case HxW	Char. Height Per Line	10" Char's Per line	Red/Amber Max Current (Amps)	RGB Max Current (Amps)	Weight with mounting brackets	Rows	Columns	*Case HxW	Char. Height Per Line	10" Char's Per line	Red/Amber Max Current (Amps)	RGB Max Current (Amps)	Weight with mounting brackets	
16	32	22" x 44"	22"/1 line 10"/2 line	5/2	3.54	5.54	110lbs.	48	48	66" x 66"	44"/1 line 27"/2 line 21"/3 line 14"/4 line 10"/6 line 7"/8 line	8/6	15.93	24.93	495lbs.	
16	48	22" x 66"		8/2	5.31	8.31	165lbs.	48	64	66" x 88"		10/6	21.24	33.24	660lbs.	
16	64	22" x 88"		10/2	7.08	11.08	220lbs.	48	80	66" x 110"		13/6	26.55	41.55	825lbs.	
16	80	22" x 110"		13/2	8.85	13.85	275lbs.	48	96	66" x 132"		16/6	31.86	49.86	990lbs.	
16	96	22" x 132"		16/2	10.62	16.62	330lbs.	48	112	66" x 154"		19/6	37.17	58.17	1155lbs.	
16	112	22" x 154"		19/2	11.39	19.39	385lbs.	48	128	66" x 176"		21/6	42.48	66.48	1320lbs.	
16	128	22" x 176"		21/2	14.16	22.16	445lbs.	48	144	66" x 198"		24/6	47.79	74.79	1485lbs.	
16	144	22" x 198"		24/2	15.93	24.93	495lbs.	64	64	88" x 88"		10/8	28.22	44.32	880lbs.	
32	32	44" x 44"	44"/1 line 21"/2 line 14"/3 line 10"/4 line 7"/5 line	5/4	7.08	11.08	220lbs.	64	80	88" x 110"	27"/2 line	13/8	35.4	55.4	1100lbs.	
32	48	44" x 66"		8/4	10.62	16.62	330lbs.	64	96	88" x 132"	21"/3 line	16/8	42.48	66.48	1320lbs.	
32	64	44" x 88"		10/4	14.16	22.16	440lbs.	64	112	88" x 154"	14"/5 line	19/8	49.56	77.56	1540lbs.	
32	80	44" x 110"		13/4	17.7	27.7	550lbs.	64	128	88" x 176"	10"/8 line	21/8	56.64	88.64	1760lbs.	
32	96	44" x 132"		16/4	21.24	33.24	660lbs.	64	144	88" x 198"	7"/10 line	24/8	63.72	99.72	1980lbs.	
32	112	44" x 154"		19/4	24.78	38.78	770lbs.	*Additional sizes up to 128 rows x 256 columns (15ft. x 30ft.) are available. Approximate dimensions and weights – call distributor for architectural drawings. Wireway box requires additional width of six inches to all width dimensions. Due to continuing product innovations, all specifications are subject to change without notice.								
32	128	44" x 176"		21/4	28.32	44.32	880lbs.									
32	144	44" x 198"		24/4	31.86	49.86	990lbs.									

Pixel Size:	.9" (23mm)
Pixel (LED) Color:	16.7 million colors RGB 256 color shades red & amber
LED Viewing Angle: (to 50% of straight on brightness)	70° Horizontal 35° Vertical
Center-to-Center Pixel Spacing (Pitch):	1.38" (35mm) Pitch
Character Set:	International character set, block (sans serif), decorative (serif), upper/lower case, slim, wide, double wide, and shadow
Message Capacity:	95 different messages can be stored and scheduled to be displayed according to time and date
Message Presentation:	– 27 unique presentation styles – Continuous message entry with automatic centering in any mode – User programmable logos and graphics – Programmable hold times - up to 6 minutes – Calendar scheduling
Temperature Accuracy:	±1° Typical
Clock/Date:	Date in multiple formats and time in 12 or 24-hour formats
Battery:	Lithium battery for time/date retention during power interruptions for at least 1 year
Serial Communication Interface:	Standard RS232 and RS485 Options: On site wireless, telephone or fiberoptic modem. Factory tested, configured and installed inside the AlphaEclipse case

Special Features:	<ul style="list-style-type: none"> – Digital intensity control – Parallel communication processing isolates individual module failures – Industry standard compact flash memory for message storage – Comprehensive remote diagnostic program – External temperature probe (optional) – Internal AC power switch for servicing – Internal thermostatically controlled cooling fans – Automatic overheating protection – Serially uploadable FLASH EPROM memory for upgrading firmware – Auto night time dimming (8 levels) – Back to back synchronization supported
Communications:	Alpha® Communications Protocol
Power:	120 VAC ± 10% - 60 Hz (240 VAC model also available, single phase)
Case Material:	All aluminum cabinet
Limited Warranty:	Two-year limited factory depot parts warranty
Agency Approvals:	FCC Part 15, Class A ANSI/UL 60950 3rd Edition, 2002 CAN/CSA C22.2 60950-00 C-ETL-US listing mark
Operating Temperature:	-40° to 122°F / -40° to 50°C
Mounting:	Steel mounting angle Design facilitates welding, bolting, or riveting techniques
Module/case dimensions:	<ul style="list-style-type: none"> – Front and rear access to all components – Separate power/serial connection box for ease of installation and servicing – 12" Deep including steel mounting brackets – Each module is 22" x 22" x 9" deep, excluding steel mounting brackets